

CD RECEIVER

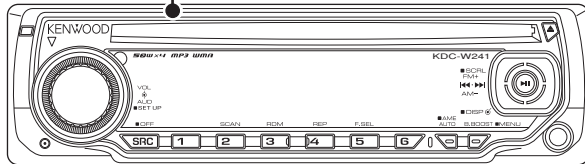
KDC-W241AY/W241GY
 KDC-W3041A/W3041AY
 KDC-W3041G/W3041GY
 KDC-W312A/W312AY
 KDC-W312G/W312GY/W312SAY
SERVICE MANUAL

KENWOOD

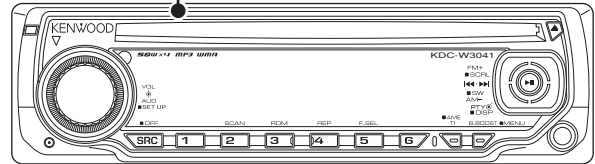
Kenwood Corporation

© 2007-10 PRINTED IN JAPAN
 B53-0579-00 (N) 223

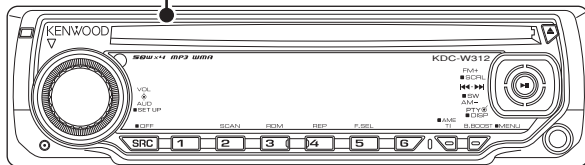
Panel assy
 KDC-W241AY/W241GY (A64-4292-02)



Panel assy
 KDC-W3041xx (A64-4289-02)



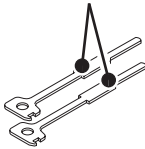
Panel assy
 KDC-W312A/AY (A64-4290-02)
 KDC-W312G/GY (A64-4290-02)
 KDC-W312SAY (A64-4293-02)



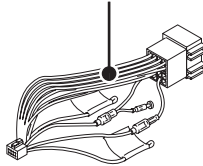
TDF SPARE-PANEL

MAIN UNIT NAME	TDF PARTS No.	TDF NAME
KDC-W241AY	Y33-2840-66	TDF-W241A
KDC-W241GY	Y33-2840-67	TDF-W241G
KDC-W3041A	Y33-2840-60	TDF-W3041A
KDC-W3041AY	Y33-2840-60	TDF-W3041A
KDC-W3041G	Y33-2840-61	TDF-W3041G
KDC-W3041GY	Y33-2840-61	TDF-W3041G
KDC-W312A	Y33-2840-62	TDF-W312A
KDC-W312AY	Y33-2840-62	TDF-W312A
KDC-W312G	Y33-2840-63	TDF-W312G
KDC-W312GY	Y33-2840-63	TDF-W312G
KDC-W312SAY	Y33-2840-68	TDF-W312SA

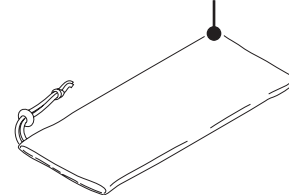
Lever
 (D10-4589-04) x2



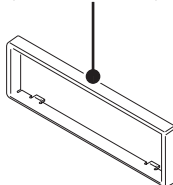
DC cord
 (E30-6427-05)



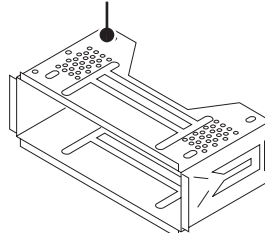
Carrying case
 (W01-1691-05)



Escutcheon
 (B07-3122-01)

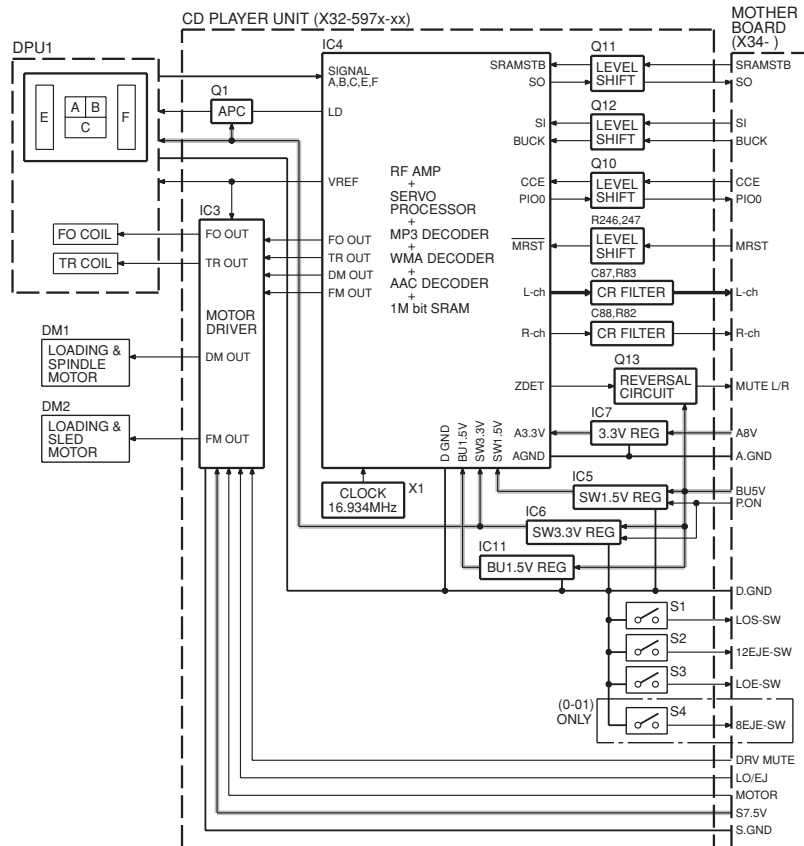
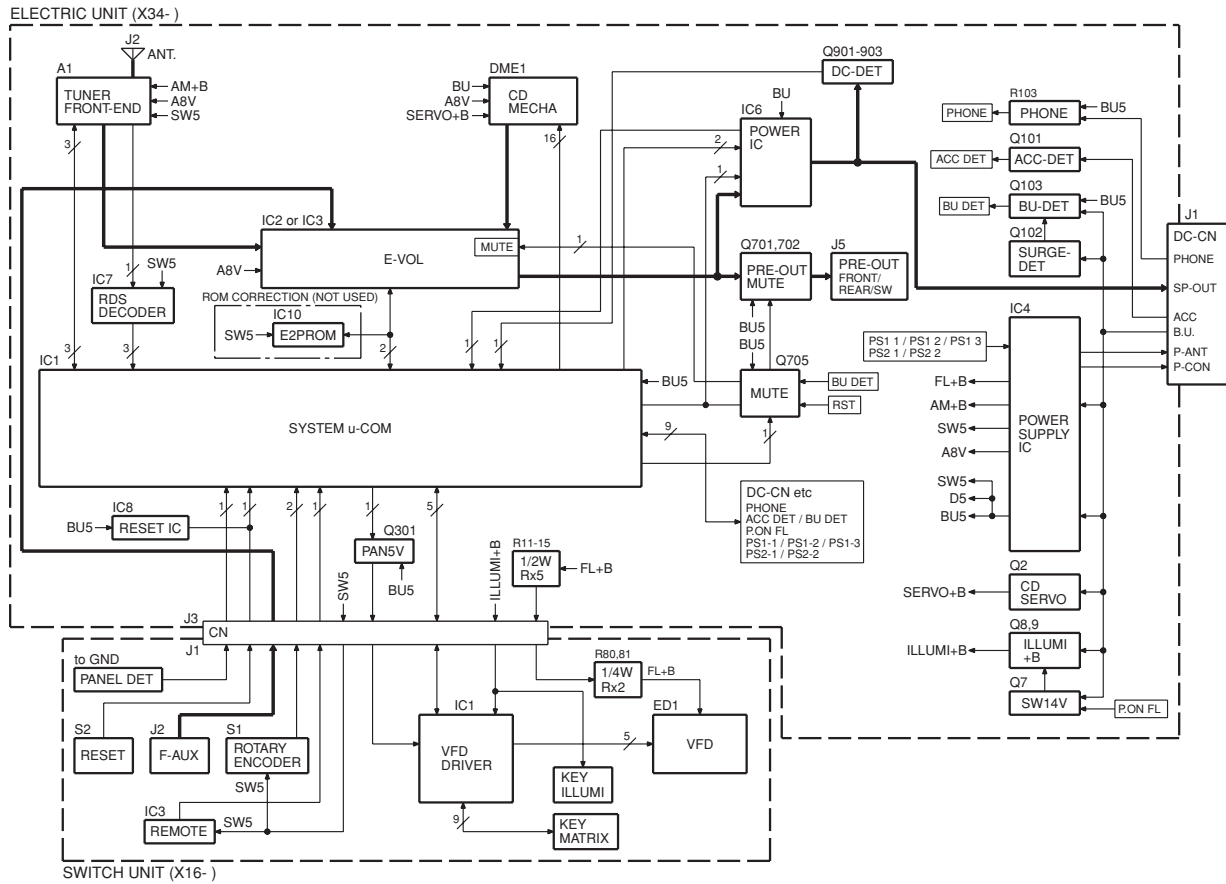


Mounting hardware assy
 (J21-9716-03)



This product uses Lead Free solder.
 This product complies with the **RoHS** directive for the European market.

BLOCK DIAGRAM



COMPONENTS DESCRIPTION

● ELECTRIC UNIT (X34-565x-xx)

Ref. No.	Application / Function	Operation / Condition / Compatibility
IC1	System μ -COM	Controls FM/AM tuner, the changer, CD mechanism, panel, volume and tone.
IC2,3	E-VOL	Controls the source, volume and tone.
IC4	Power Supply IC	Outputs 5Vx2, 8.1Vx2, 10.2V, P-CON and P-ANT.
IC6	Power IC	Amplifies the front L/R and the rear L/R to 50W maximum.
IC7	RDS IC	RDS decoder.
IC8	Reset IC	Lo when detection voltage goes below 3.6V.
Q2	Servo+B AVR	When Q3's base goes Hi, Servo+B AVR outputs 7.5V.
Q3	Control SW for Servo+B	ON when the base goes Hi.
Q7	VFD+B SW	ON when the base goes Hi.
Q8	VFD+B AVR	When Q9's base goes Hi, Servo+B AVR outputs 10.5V.
Q9	Control SW for VFD+B	ON when the base goes Hi.
Q11	14V SW	ON when the base goes Hi.
Q12	14V SW	ON when the base goes Lo.
Q101	ACC DET	ON when the base goes Hi during ACC is applied.
Q102	Serge DET	When the base goes Hi, surge voltage is detected.
Q103	BU DET	ON when the base goes Hi during BU is applied.
Q104,105	Mute Control	ON when the base goes Hi.
Q301	Panel 5V SW	ON when the base goes Lo.
Q402	Quick Charge Voltage SW	Charges voltage quickly when the base goes Hi.
Q701,702	Pre-out Mute SW	When a base of the 4 transistors goes Hi, pre-out is muted.
Q705	Mute Driver for Pre-out	ON when the base goes Lo.
Q901	DC Offset DET	ON when the base goes Hi after Q902's and Q903's outputs are separated.
Q902,903	DC Offset DET SW	ON when the bases go Lo after IC6's SP-OUTs (DC) are separated.

● SWITCH UNIT (X16-617x-xx)

Ref. No.	Application / Function	Operation / Condition / Compatibility
IC1	VFD Driver	
IC3	Remote Control Sensor	

● CD PLAYER UNIT (X32-5970-02)

Ref. No.	Application / Function	Operation / Condition / Compatibility
IC3	4ch BTL Driver	Driver for focusing & tracking coil, driver for sled & spindle motor, and operation for disc loading & ejection.
IC4	Servo DSP with built-in Audio DAC	With built-in MP3/WMA/AAC decoder and 1M-bit-SRAM.
IC5	D1.5V REG.	Power supply for digital 1.5V.
IC6	D3.3V REG.	Power supply for digital 3.3V.
IC11	BU1.5V REG.	Power supply for back-up 1.5V.
Q1	APC (Auto Power Control)	Drives LD (Laser Diode).

COMPONENTS DESCRIPTION

Ref. No.	Application / Function	Operation / Condition / Compatibility
Q10~12	5V-3.3V Level Shift	Converts signal from 5V to 3.3V, or from 3.3V to 5V.
Q13	Inverter	Inverts ZDET signal.
D1	Level Down	Lowers signal level by about 1.2V so that Lo level signal that turns the regulator ON/OFF surely becomes Lo judgment level of the regulator SW.
D2	Laser Diode Protection	Prevents reverse bias which is applied to laser. Laser destruction prevention.
D3,4	Static Electricity Countermeasure	Prevents malfunction by static electricity.

MICROCOMPUTER'S TERMINAL DESCRIPTION

● SYSTEM μ -COM: IC1 on X34- (ELECTRIC UNIT)

Pin No.	Pin Name	I/O	Application	Truth Value Table	Processing Operation Description
1	LX DATA M	I/O	Data to slave unit		Pull-down (GND)
2	LX CLK	I/O	LX-BUS clock		125k~65kHz
3~5	NC	-	Not used		Output L fixed
6	REMO	I	Remote control signal input		Detects pulse width
7	NC	-	Not used		Output L fixed
8	BYTE	-	Memory extended bus width setting		Connects to VSS
9	CNVSS	-			Connects to VSS
10	XCIN	-	32.768kHz		
11	XCOU	-	32.768kHz		
12	RESET	-			L: Reset
13	XOUT	-	10.0MHz		
14	VSS	-			
15	XIN	-	10.0MHz		
16	VCC1	-			
17	NMI	I			Connects to VCC
18	PANEL DET	I	Panel communication detection		H: Panel detached, L: Panel attached
19,20	NC	-	Not used		Output L fixed
21	ROMCOR DET	I	E2PROM writing request		H: Writing
22,23	NC	-	Not used		Output L fixed
24	PON FL	O	Key illumination power supply control		ON: H, OFF: L
25	NC	-	Not used		Output L fixed
26	PON PANEL	I/O	Panel 5V control		ON: L, Momentary power down/Panel detached: Hi-Z, 11 minutes after ACC OFF: Hi-Z
27,28	NC	-	Not used		Output L fixed
29	AUD SCL	I/O	E-VOL clock output		
30	AUD SDA	I/O	E-VOL data input/output		
31	VFD SYS DATA	O	VFD data output		
32	VFD PAN DATA	I	VFD data input		
33	VFD CLK	O	VFD clock output		125kHz
34	VFD BLK	O	VFD data blanking output		H: Reset cancelled, L: Reset, Momentary power down /Panel detached: L, 11 minutes after ACC OFF: L
35	CD SI	O	CD mechanism serial output		
36	CD SO	I	CD mechanism serial input		
37	BUCK	O	Serial clock output		1MHz
38	CD LOS SW	I	CD loading detection		
39	PIO0	I	Communication request from mechanism DSP		H: Data request
40	CD SRAMSTB	O	1M-bit SRAM standby		H: SRAM standby
41	EPM	I	Flash EPM input		Connects to VSS
42	CD LOE LIM SW	I	CD detection (Chucking SW)		H: Loading completed, L: No disc

MICROCOMPUTER'S TERMINAL DESCRIPTION

Pin No.	Pin Name	I/O	Application	Truth Value Table	Processing Operation Description
43	PON CD	O	CD mechanism power supply control		H: Power ON
44	CD LOEJ	I/O	CD motor control	①	Refer to the truth value table
45	CD MOTOR	I/O	CD motor control	①	Refer to the truth value table
46	VFD CE	O	VFD control request		
47	CD DRIVEMUTE	O	Motor driver mute output		
48	CD CCE	O	CD mechanism chip enable		
49	NC	-	Not used		
50	CD MRST	O	CD mechanism μ -com reset		H: Normal, L: Reset
51~53	NC	-	Not used		Output L fixed
54	CD MUTE	I	CD mute request		L: Mute request
55	CD DISC12 SW	I	12cm disc detection		Pull-up (B.U.)
56	ROTARY CCW	I	VOL key input		Detects pulse width
57	ROTARY CW	I	VOL key input		Detects pulse width
58~61	NC	-	Not used		Output L fixed
62	VCC2	-			
63	NC	-	Not used		Output L fixed
64	VSS	-			
65	NC	-	Not used		
66	TUN IFC OUT	I	Front-end IFC-OUT input		H: Station found, L: No station
67	PON EXT GND	I/O	IC2 external input quick charge control		L: OFF, Hi-Z: Quick charge, When IC2 is in source select: Hi-Z, Mute L: L, Momentary power down/Power OFF: L
68	MUTE	I/O	Mute		L: Mute OFF, Hi-Z: Mute ON
69	ANALOG CON	O	AUX/LX audio switching		AUX: H (Switches after 100ms after first-out mute begins to work), LX/Other source: L
70	LX RST	O	Forced reset to slave unit		H: Reset, L: Normal
71	LX CON	O	Start-up request to slave unit		H: Slave unit ON, L: Slave unit OFF
72	LX MUTE	I	Mute request from slave unit		H: Mute ON, L: Mute OFF
73	LX REQ M	O	Communication request to slave unit		
74	NC	-	Not used		
75	LX REQ S	I	Communication request from slave unit		Pull-down (GND)
76	PWIC SVR	O	SVR discharging circuit		During 500ms after power OFF and momentary power down: H, Since then: L
77	PWIC STBY	O	Power IC standby control		Power ON: H, Power OFF: L
78	PWIC MUTE	O	Power IC mute		STANDBY source/Momentary power down: L, TEL mute: L
79	$\overline{\text{ACC DET}}$	I	ACC power supply detection		ACC found: L, No ACC: H
80	$\overline{\text{BU DET}}$	I	Detection of momentary power down		BU found: L, No BU/Momentary power down: H (Operates after less than 4ms after momentary power down is detected)
81~83	NC	O	Not used		Output L fixed
84	TUN SMETER	I	S-meter input		

MICROCOMPUTER'S TERMINAL DESCRIPTION

Pin No.	Pin Name	I/O	Application	Truth Value Table	Processing Operation Description
85	TYPE1	I	Destination switching	③	Refer to the truth value table
86	TYPE2	I	Destination switching	③	Refer to the truth value table
87	PWIC DC DET	I	DC offset detection		If DC offset is found 20 times in 100ms with condition of over 1.0V, it will be judged as DC offset detected.
88	LINE MUTE	I	Line mute detection		TEL mute: Below 1V, NAVI mue: Over 2.5V
89	OFFSET DET	I	Power IC offset detection		
90	PS2 2	O	Power supply IC control	④	Refer to the truth value table
91	PS2 1	O	Power supply IC control	④	Refer to the truth value table
92	PS1 1	O	Power supply IC control	④	Refer to the truth value table
93	PS1 2	O	Power supply IC control	④	Refer to the truth value table
94	PS1 3	O	Power supply IC control	④	Refer to the truth value table
95	NC	-	Not used		Output L fixed
96	AVSS	-			
97	REF CON	O	VREF control		Connects to VREF
98	VREF	-			
99	AVCC	-			
100	LX DATA S	I	Data from slave unit		Pull-down (GND)

• Truth value table

① CD motor control

	CD motor	CD loading/eject
Stop	L	L
Load	H	L
Eject	H	H
Brake	H	Hi-z

③ Destination switching

TYPE 2 (Pin 86)	TYPE 1 (Pin 85)	Model
2.4V	0V	KDC-W3037A/W3037G/ W311A/W311G/W4037
2.4V	1.2V	KDC-W3537A/W3537G
2.4V	2.4V	KDC-W237A/W237G

④ Power supply IC (IC4) control

SEL1 (Pin 10)

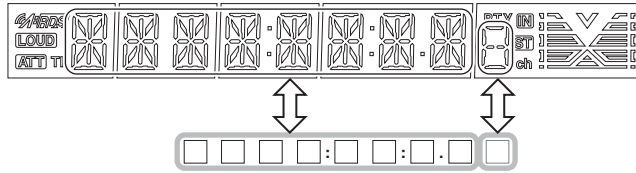
PS1-2	PS1-3	PS2-1	ILLUMI	P-CON	P-ANT
L	L	L	OFF	OFF	OFF
L	L	H	ON	OFF	OFF
H	L	H	ON	ON	OFF
H	H	H	ON	ON	ON

SEL2 (Pin 11)

PS1-1	PS2-2	AUDIO/SW5	AM
L	L	OFF	OFF
H	L	ON	OFF
H	H	ON	ON

TEST MODE

■ Example



Key	Description of display	Description
5	Disc EJECT times display	E J C X X X X X X
■5		Disc EJECT times display. MAX 65535 (times) While disc EJECT times is displayed, press and hold for 2 seconds or longer to clear disc EJECT times.

A symbol "■" in the key column indicates that the key should be pressed and held for 1 second or longer.

■ How to enter the test mode

Procedure	Note
Press and hold the [1] key and [3] key and reset.	

All lamps blink when it is detected that the sub-clock resonator is disconnected.

Do not display "CODE_OFF", "CODE_ON" or "CODE_NG" when Power is ON.

When having started up in the test mode, change the LINE MUTE inhibition time from 10 seconds to 1 second.

When operating in the test mode, even if a DC offset error occurs, detection information is not written in the E2PROM.

When operating in the test mode, CD mechanism error log information clear mode, and DC offset error detection information clear mode, do not perform DEMO mode operations.

Also, do not display DEMO ON/OFF option items in the MENU in STANDBY source in the above modes.

Forced disc ejection is prohibited in the test mode.

■ How to clear the test mode

Procedure	Note
Reset, momentary power down, ACC OFF, Power OFF, Panel detached.	Clearing the test mode

■ Test mode default condition

Description	Default values
Source	STANDBY
Display	Display lights are all turned on.
Volume	-10dB ("30" is displayed.)
Bass Boost	OFF
CRSC	OFF regardless of having/not having the switching function.
AUX	ON
System Q	NATURAL (FLAT)
Preout	Rear

TEST MODE

■ Special displays when all lights are on in STANDBY source

Key	Description of display	Description
Common	All lights ON. <input type="checkbox"/> <input type="checkbox"/> <input type="checkbox"/> <input type="checkbox"/> <input type="checkbox"/> <input type="checkbox"/> <input type="checkbox"/> <input type="checkbox"/> <input type="checkbox"/>	All lights ON.
1	Destination terminal condition indication T Y P E : 1 1 <input type="checkbox"/> <input type="checkbox"/> <input type="checkbox"/>	"TYPE" indicates system μ-com (IC1) destination, and shows real-time condition of the destination terminal.
	Development ID condition indication 7 0 4 A 2 - 5 . 0 0	Development ID – Version (system μ-com: IC1)
2	Serial No. display 0 0 0 0 0 0 0 0 <input type="checkbox"/>	Serial No. is displayed (8 digits)
3	Power ON time display P O N <input type="checkbox"/> 0 H X X <input type="checkbox"/> P O N X X X X X X <input type="checkbox"/>	00~50 is displayed for "XX". When less than 1 hour, displayed by increments of 10 minutes.
		00001~10922 is displayed for "XXXXX". MAX 10922 (hours)
■3		When Power ON time is displayed, press and hold for 2 seconds or longer to clear Power ON time.
4	Disc operation time display C D T <input type="checkbox"/> 0 H X X <input type="checkbox"/> C D T X X X X X X <input type="checkbox"/>	00~50 is displayed for "XX". When less than 1 hour, displayed by increments of 10 minutes.
		00001~10922 is displayed for "XXXXX". MAX 10922 (hours)
■4		While the disc operation time is displayed, press and hold for 2 seconds or longer to clear the disc operation time. (Cleared only for displayed media.)
5	Disc EJECT times display E J C X X X X X X <input type="checkbox"/>	Disc EJECT times display. MAX 65535 (times)
■5		While disc EJECT times is displayed, press and hold for 2 seconds or longer to clear disc EJECT times.
6	Panel open/close times display P C <input type="checkbox"/> X X X X X X <input type="checkbox"/>	PANEL open/close times display. MAX 65535 (times)
■6		Press the key for more than 2 seconds while the PANEL open/close count is displayed and PANEL open/close count is cleared.
FM	ROM correction version display R O 1 2 3 <input type="checkbox"/> <input type="checkbox"/> <input type="checkbox"/> <input type="checkbox"/> E R R <input type="checkbox"/> <input type="checkbox"/> <input type="checkbox"/> <input type="checkbox"/> <input type="checkbox"/> R - - - <input type="checkbox"/> <input type="checkbox"/> <input type="checkbox"/> <input type="checkbox"/> R * * * * <input type="checkbox"/> <input type="checkbox"/> <input type="checkbox"/> <input type="checkbox"/>	The number is the ROM correction version number.
		When E2PROM is not installed.
		When not written in yet.
		When data not matched. (due to the difference in versions)
■AM	ROM data transfer <input type="checkbox"/> <input type="checkbox"/> <input type="checkbox"/> <input type="checkbox"/> <input type="checkbox"/> <input type="checkbox"/> <input type="checkbox"/> <input type="checkbox"/>	
▶▶I	Audio data initialization A U D <input type="checkbox"/> <input type="checkbox"/> I N I T <input type="checkbox"/>	AUDIO setting value is re-set to the test mode default value.
I◀◀	Forced Power OFF information display P O F F <input type="checkbox"/> - - - <input type="checkbox"/> P O F F <input type="checkbox"/> S E C <input type="checkbox"/> P O F F <input type="checkbox"/> P N L <input type="checkbox"/>	No forced power OFF
		Forced power OFF because of missing Security Code. (Code security supporting model)
		Forced power OFF by communication error between system μ-com and panel.
■I◀◀		While the forced power OFF data is displayed, press and hold for 2 seconds to clear the data.
▶▶I	CD information display mode ON/OFF <input type="checkbox"/> <input type="checkbox"/> <input type="checkbox"/> <input type="checkbox"/> <input type="checkbox"/> <input type="checkbox"/> <input type="checkbox"/> <input type="checkbox"/>	For the display contents, refer to "CD information display mode" in the next section.
		While in CD information display mode, press and hold for 2 seconds or longer to clear all CD information.

TEST MODE

• CD information display mode

Key	Description of display	Description		
FM (forward rotation) AM (reverse rotation)	◀◀/ ▶▶	M C E R R 1 : X X □ CD mechanism error log display	Mechanism error log 1 (Latest) XX: Error number. "--" is displayed in case there is no error.	
		M C E R R 2 : X X □	Mechanism error log 2 (Latest) XX: Error number. "--" is displayed in case there is no error.	
		M C E R R 3 : X X □	Mechanism error log 3 (Latest) XX: Error number. "--" is displayed in case there is no error.	
	◀◀/ ▶▶	CD Load error information display	L D E R R 1 : X X □	Load error switch 1 XX: Number of errors. "--" is displayed in case there is no error.
			L D E R R 2 : X X □	Load error switch 2 XX: Number of errors. "--" is displayed in case there is no error.
	◀◀/ ▶▶	CD Ejection error information display	E J E R R 1 : X X □	Ejection error switch 1 XX: Number of errors. "--" is displayed in case there is no error.
			E J E R R 2 : X X □	Ejection error switch 2 XX: Number of errors. "--" is displayed in case there is no error.
			E J E R R 3 : X X □	Ejection error switch 3 XX: Number of errors. "--" is displayed in case there is no error.
			E J E R R 4 : X X □	Ejection error switch 4 XX: Number of errors. "--" is displayed in case there is no error.
	◀◀/ ▶▶	CD time code error count data display (Missing counts)	C N T □ L O S E □	CD time code error count data (Missing counts) mode display.
			C D D A □ □ : X X □	Number of CD-DA count errors XX: Number of errors. "--" is displayed in case there is no error.
			C D R O M □ : X X □	CD-ROM (Compressed file) number of count errors XX: Number of errors. "--" is displayed in case there is no error.
◀◀/ ▶▶	CD time code error count data display (count not updated)	C N T □ S T A Y □	CD time code error count data (count not updated) mode display.	
		C D D A □ □ : X X □	Number of CD-DA count errors XX: Number of errors. "--" is displayed in case there is no error.	
		C D R O M □ : X X □	CD-ROM (Compressed file) Number of count errors XX: Number of errors. "--" is displayed in case there is no error.	

TEST MODE

■ Test mode specifications in TUNER source

Error is found in front-end (A1), etc. if indications below is displayed while in tuner source.

Status	Display	Description
Front-end (A1) E2PROM data error	T N E 2 P □ N G □	Front-end (A1) E2PROM is still the default (unspecified) value.
Front-end (A1) communication error	T N C O N □ N G □	Communication with front-end (A1) is not possible.
Destination mismatch	T N T Y P □ N G □	When destination is mismatch between front-end (A1) E2PROM and the product.

• TUNER preset operation

Key	Description of display	Description
4	Preset function F M 1 □ 9 8 . 3 A 4	Change to 98.3MHz with the preset key [4].

• K3I forced switching

Every time when [6] key is pressed in tuner FM source, switched in the following order: AUTO → Forced WIDE → Forced MIDDLE → Forced NARROW → AUTO. Default status is AUTO, and displayed as shown below.

Key	Description of display	Description	
6	K3I Forced switching	F M 1 □ 9 8 . 1 A □	AUTO
		F M 1 □ 9 8 . 1 W □	Forced WIDE
		F M 1 □ 9 8 . 1 M □	Forced MIDDLE
		F M 1 □ 9 8 . 1 N □	Forced NARROW

• RDS auto measurement

Add the process to replace the visual inspection of PS display previously done in the production line.

Status	Display	Description
PS data reception	R D S □ T E S T □	If displayed as shown at the left, force to OFF. P-CON is recovered by Power OFF/ON.

• FST adjustment mode

Perform FST soft-mute adjustment.

Key	Note
■▶▶	Enter the FST adjustment mode. (Press for 1 second or longer.)

Operations in the FST adjustment mode are as follows:

Key	Description of display	Description
FM (UP) AM (DOWN)	Soft-mute adjustment S M D - F □ □ □	18dBμ (0) ↔ 36dBμ (F)
■▶▶	Adjustment value memory E P □ W R I T E □	Displays the data that has been written in the E2PROM when pressing the key for 2 seconds or longer.
▶▶	Mode clear F M 1 □ 9 8 . 3 A 4	Clear the FST adjustment mode. (Returns to normal display and the test mode is retained.)

After completing the FST adjustment, if You wish to clear the test mode, You can do this using the reset button.

TEST MODE

■ Test mode specifications in CD source

Display mode default: P-Time

• Procedure in CD-DA media (KTD-02A)

Key	Description of display		Description
▶▶I	Track up procedure		Every time pressed, jumps to the track shown below. No.9 → No.15 → No.10 → No.11 → No.12 → No.13 → No.22 → No.14 → No.9 (recursive) But in case the disc has 8 tracks or less, playback starts with track No.1. (For both CD-DA and compressed file discs)
I◀◀	Track down procedure		Goes down by 1 track from the currently played track.
1	Jump procedure		Jump to No. 28 (Scratch 0.7mm for MUSIC line vibration testing)
2	Jump procedure		Jump to No. 14 (Blurring surface disc TCD-731RA Tr14)
3	Information display Mechanism model name Mechanism version	6 E 0 0 : □ □ □ □ □ □ □ □	Display of Mechanism model name and Mechanism version. (When key is pressed while the display in the left is being shown, returns to normal display.)
6	Jump procedure		Jump to No. 15. Set the volume value to "25". (For 20Hz 0dB DC protection false-operation FCT checking)

Used media: For CD, KTD-02A

■ Audio-related test mode

Procedure	Note
Press the [AUD] key (main unit) Press the [AUD] and [*] keys (Remote control)	Enter audio adjustment mode (the initial item should be Fader, and then, Balance → Bass Level → Middle Level → Treble Level → (SW Level →) System Q → V-Offset → (LPF Sub Woofer)). () means all models other than KDC-W241AY/W241GY.

About audio adjustment items (include both Audio Function Mode and Audio Setup Mode)

Procedure	Item	Procedure	Description
For item forwarding procedure, press [AUD] key and [FM] key	Fader	[VOL] knob and [I◀◀ / ▶▶I] key	Adjust to 3 steps of R15 ↔ 0 ↔ F15. (Default value: 0)
	Balance	[VOL] knob and [I◀◀ / ▶▶I] key	Adjust to 3 steps of L15 ↔ 0 ↔ R15. (Default value: 0)
	Bass Level	[VOL] knob and [I◀◀ / ▶▶I] key	Adjust to 3 steps of -8 ↔ 0 ↔ +8. (Default value 0)
	Middle Level	[VOL] knob and [I◀◀ / ▶▶I] key	Adjust to 3 steps of -8 ↔ 0 ↔ +8. (Default value 0)
	Treble Level	[VOL] knob and [I◀◀ / ▶▶I] key	Adjust to 3 steps of -8 ↔ 0 ↔ +8. (Default value 0)
	LPF Sub woofer	[VOL] knob and [I◀◀ / ▶▶I] key	Adjust to 2 steps of 80Hz ↔ Through. (Default value: Through) (Only in models with Sub Woofer output)
	Volume Offset	[VOL] knob and [I◀◀ / ▶▶I] key	Adjust to 3 steps of -8 ↔ 0 ↔ +8. (Default value 0)

Procedure	Note
Press the [B.BOOST] key for 1 second or longer	Switch Bass Boost (Note: Front key functions as MENU.)

■ [ATT] key operation

Procedure	Note
In the TUNER source, press [▶▶I] key	ATT OFF/ON

TEST MODE

■ MENU-related test mode

Procedure	Note
Press the [B.BOOST] key (main unit) Press the [DNPP/SBF] and [DIRECT] keys (Remote control)	Continuous forwarding by remote control is prohibited

■ Backup current measurement

Procedure	Note
While ACC OFF (Back Up ON), Reset	MUTE terminal is OFF after 2 seconds, not after 15 seconds. (During this time, the CD mechanism does not function.)

■ PREOUT switching (except KDC-W241AY/W241GY)

Procedure	Note
In the STANDBY source, press and hold [TI] key for 1 second or longer	Switches PREOUT

■ Fluorescent indicator tube (ED1) short check

Procedure	Note
In the STANDBY source, press [ATT] key	All lights are off → Turns on odd and even terminals alternatively every 125ms (terminals that have a maximum number of grids) → Turns on only the odd terminals → Turn on only the even terminals →

■ Clearing CD mechanism information / Service information / DC offset error information (Clearing E2PROM data)

Status	Display	Description
While pressing and holding [2] key and [5] key, reset-start.	<input type="checkbox"/> C <input type="checkbox"/> D <input type="checkbox"/> <input type="checkbox"/> <input type="checkbox"/> <input type="checkbox"/> <input type="checkbox"/> <input type="checkbox"/> <input type="checkbox"/> <input type="checkbox"/>	At normal termination
	<input type="checkbox"/> C <input type="checkbox"/> D <input type="checkbox"/> <input checked="" type="checkbox"/> X <input type="checkbox"/> <input type="checkbox"/> <input type="checkbox"/> <input type="checkbox"/> <input type="checkbox"/> <input type="checkbox"/>	At abnormal termination

While “----” is displayed, power can be ON for 30 minutes. This mode is cancelled by resetting. (The last screen will not be retained.)
Data to be cleared is shown below.

CD mechanism information	CD mechanism error log display
	Displays CD loading error data
	Displays CD EJECT error data
	Displays CD time code count error data (missing count)
	Displays CD time code count error data (count not updated)
Service Information	Power ON time display
	CD operation time display
	CD EJECT times display
	PANEL open/close times display
	Forced Power OFF information display
DC offset error information	DC offset error 1 display (Provides information on whether there is an improper connection or another error)
	DC offset error 2 display (Provides information on the number of capacitor leaks)

■ Clearing DC offset error detection data (E2PROM data clearing)

Procedure	Note
While pressing and holding [3] key and [6] key, reset-start.	Entering DC offset error display mode.

TEST MODE

Procedure	Display	Description
Press and hold the [3] and [6] keys, and reset-start	D C □ □ E R R □ □	When DC offset error is detected (when either one of capacitors is leaking, or an improper connection or another error is detected)
	D C □ □ O K □ □ □	When DC offset error is not detected (when none of capacitors leak, no improper connection or other error is detected)
1	D C 1 □ E R R □ □	When improper connection or other DC offset errors are detected.
	D C 1 □ O K □ □ □	When improper connection or other DC offset errors are not detected.
■1	D C 1 □ O K □ □ □	When detecting improper connection or other DC offset errors, clears detection data. (Clear E2PROM)
2	D C 2 □ 4 □ □ □ □	When detecting capacitor leak, provides information on the number of capacitor leaks. (0~4)
■2	D C 2 □ 0 □ □ □ □	When detecting capacitor leak, clears the number of capacitor leaks. (Clear E2PROM)

This mode is cancelled by resetting. (The last screen will not be retained.)

■ ROM data transfer

When replacing front-end (A1), this function is used to transfer E2PROM data (ROM correction, security and other data) to front-end (A1) to E2PROM of to mother unit (X34-), used for saving data, and, after completing replacement of front-end (A1), to recover data from the E2PROM of the mother unit (X34-), and for saving data to the new front-end (A1). Refer to “ROM data transfer processes” on the next page for details on front-end (A1) replacement procedures and on the data to be transferred.

Procedure	Display	Description
While pressing and holding [1] key and [3] keys, reset-start	□ □ □ □ : □ □ □ □ □	All lights ON.
Press [B.BOOST] key (MENU)	R O M □ R E A D □	MENU mode
Press [◀◀] key or [▶▶] key	R O M □ R E A D □	Front-end (A1) → Mother unit (X34-). Data transfer processing.
	R O M □ W R T □ □	Mother unit (X34-) → Front-end (A1). Data transfer processing.
(In the above ROM READ status), ■ [▶▶] key for 2 seconds or longer	R E A D □ □ □ □ □	Front-end (A1) → Mother unit (X34-). ROM data is being transferred.
	R E A D □ O K □ □ □	Front-end (A1) → Mother unit (X34-). ROM correction transfer, security and other data is OK.
	R E A D □ O K 2 □ □	Front-end (A1) → Mother unit (X34-). Transfer of security and other data is OK.
	R E A D □ N G □ □ □	Front-end (A1) → Mother unit (X34-). ROM data transfer is NG.
(In the above ROM WRT status), ■ [▶▶] key for 2 seconds or longer	W R T □ □ □ □ □ □	Mother unit (X34-) → Front-end (A1). ROM data is being transferred.
	W R T □ □ O K □ □ □	Mother unit (X34-) → Front-end (A1). ROM correction, security and other data transfer is OK.
	W R T □ □ O K 1 □ □	Mother unit (X34-) → Front-end (A1). ROM correction data transfer is OK.
	W R T □ □ O K 2 □ □	Mother unit (X34-) → Front-end (A1). Transfer of security and other data is OK.
	W R T □ □ N G □ □ □	Mother unit (X34-) → Front-end (A1). ROM data transfer is NG
(In every status of ROM data [▶▶] transfer processing)	□ □ □ □ : □ □ □ □ □	Clear from ROM correction data transfer processing

ROM DATA TRANSFER PROCESSES

When replacing front-end (A1) of mother unit (X34-), or when adding or replacing ROM correction (program correction with ROM IC (IC10)), the following activities are required.

■ Overview

When replacing front-end (A1) in the model where ROM correction and security data have been written into E2PROM, included in the front-end (A1) pack, the transfer function of the E2PROM data itself in the replaced front-end (A1) is required.

This function in the above system configuration is used to allow for complete replacement of the front-end at any service center.

■ Overview of specifications

Procedures for replacement are as follows: To install the E2PROM to the mother unit (X34-), and replace front-end (A1) with new front-end after copying the data in the E2PROM (such as ROM correction data and other data) in the front-end (A1) to the mother unit (X34-) by operating the system, and then copy the data (such as ROM correction data and other data) into the mother unit to the E2PROM of the front-end (A1), operating the main body.

Tuner adjustment data was inserted during the tuner pack manufacturing, and data will not be transferred because front-end (A1) is built-in.

In addition, tuner adjustment data for new front-end (A1) is supplied as a service part in which data was inserted.

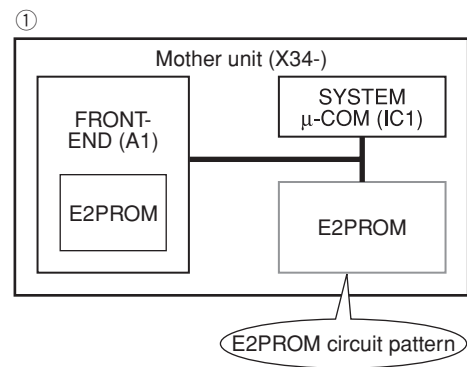
■ Data to be copied

- ROM correction data
- Other data
 - Security data
 - DEMO MODE ON/OFF status
 - POWER ON time (For maintenance)
 - Playback time (For maintenance)
 - EJECT count (For maintenance)
 - Panel open/close count (For maintenance)
 - CD I2C status (For maintenance)
 - CD offset error code (For maintenance)
 - CD sound skips count (For maintenance)
 - CD time code not updated count (For maintenance)
 - CD load switch errors count (For maintenance)
 - CD ejection errors count (For maintenance)
 - DC offset error (For maintenance)
 - Forced Power OFF information (For maintenance)
 - Serial number (For maintenance)
 - E2PROM data check data (For internal check)

■ Operation procedure

Operation procedure is different depending on the conditions. Proceed with the appropriate operation procedure depending on the specific condition.

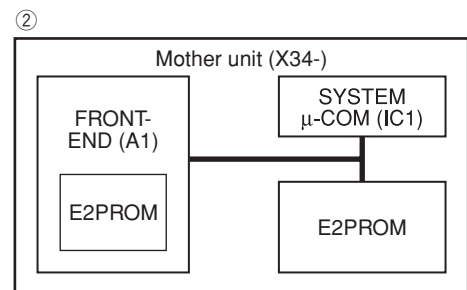
1. In case of replacing front-end (A1) without an applicable ROM correction.
2. In case of replacing front-end (A1) with an applicable ROM correction.
3. In case of applying new ROM correction at the same time when front-end (A1) is replaced. (No ROM correction has been carried out.)



Install new E2PROM.

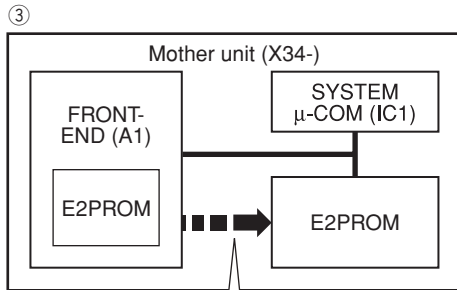
Install E2PROM containing no data, in case of [1] and [2].

In case of [3], install maintenance E2PROM with an applicable ROM correction program.



ROM DATA TRANSFER PROCESSES

Turn power on.
 Press and hold the [1] and [3] keys and press reset button.
 (Enter the system in the test mode.)
 Press [B.BOOST] key. (ROM data System enters data transfer mode.)
 Press [◀◀] (or ▶▶) . (Select READ)
 Press [▶▶] key for 1 second or longer. (Data transfer)



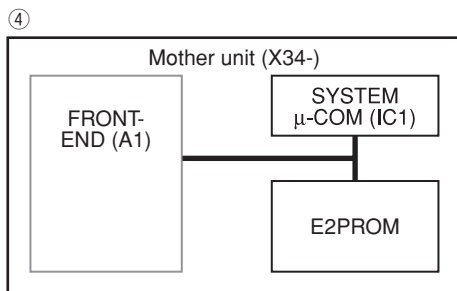
The system μ-COM (IC1) copies the data in the front-end (A1) in the E2PROM on the mother unit (X34-)

In case of [2]
 READ OK R-OK
 In case of [1] or [3]
 READ OK2 R-O2

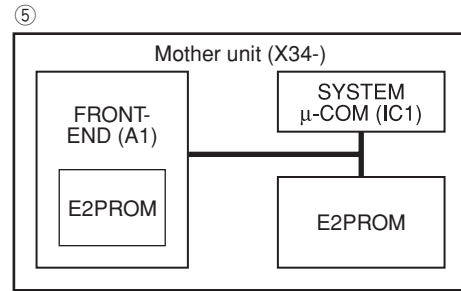


Press [▶▶] key. (Exit ROM data transfer mode.)
 Turn power off.

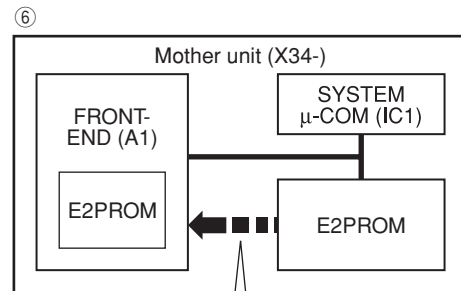
Remove front-end (A1).



Install new front-end (A1).
 No ROM correction or other data status.



Turn power on.
 Press and hold the [1] and [3] keys and press reset button.
 (Enter the system in the test mode.)
 Press [B.BOOST] key. (Start transferring ROM data.)
 Press [◀◀] (or ▶▶) . (Select WRT)
 Press [▶▶] key for 1 second or longer. (Data transfer)



System μ-COM (IC1) copies data on the mother unit (X34-) into E2PROM in the front-end (A1)

In case of [2] or [3]
 WRT OK W-OK
 In case of [1]
 WRT OK2 W-O2

Press [▶▶] key. (Exit ROM data transfer mode.)

ROM DATA TRANSFER PROCESSES

4. In case of applying a new ROM correction when front-end (A1) is replaced (There is ROM correction data.)
5. In case of applying a new ROM correction even when front-end (A1) is not replaced.

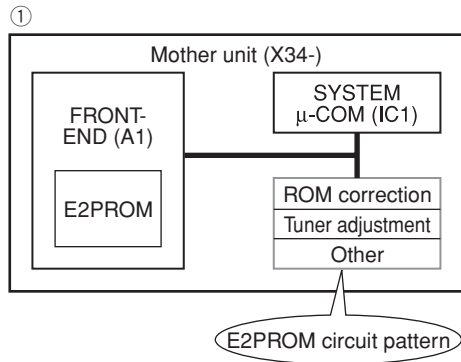
Turn power on.

Press and hold the [1] and [3] keys, press reset button. (Enter the system in the test mode.)

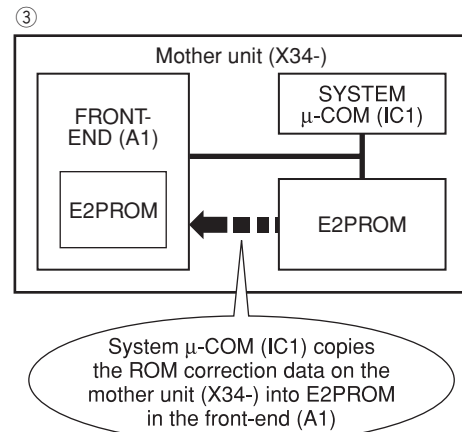
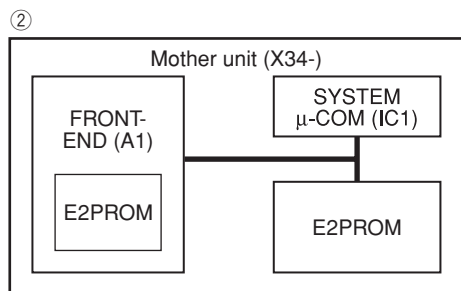
Press [B.BOOST] key. (ROM data System enters data transfer mode.)

Press [◀◀] (or ▶▶) . (Select WRT)

Press [▶▶] key for 1 second or longer. (Data transfer)



Install new E2PROM. (E2PROM that has been updated with ROM correction)



In case of [4]



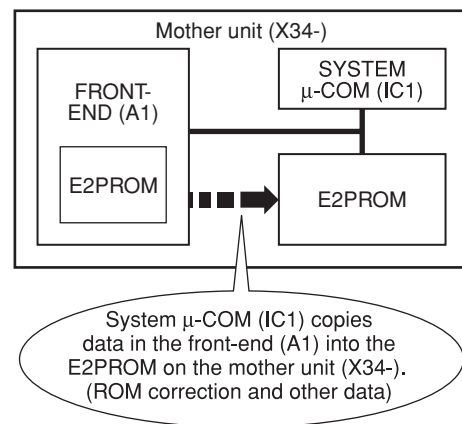
Press [◀◀] (or ▶▶) . (Select READ)

Press [▶▶] key for 1 second or longer. (Data transfer)

In case of [5]



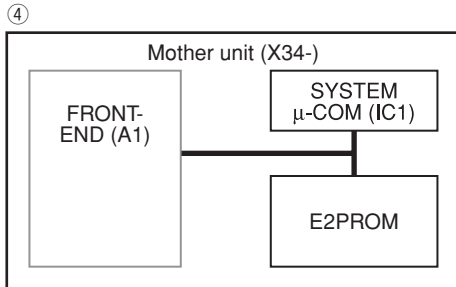
Press [▶▶] key. (Exit ROM data transfer mode.)



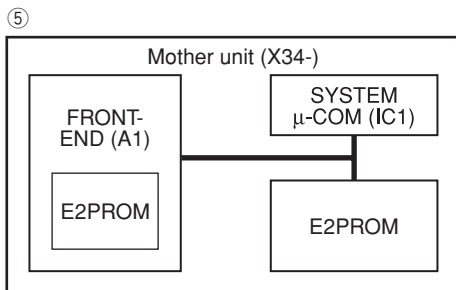
ROM DATA TRANSFER PROCESSES

Press [▶|] key. (Exit ROM data transfer mode.)
 Turn power off.

Remove front-end (A1).



Install new front-end (A1).
 No ROM correction or other data status.



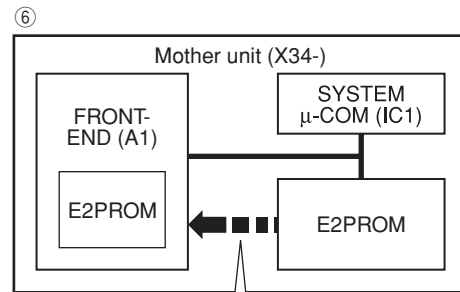
Turn power on.

Press and hold the [1] and [3] keys press reset button. (Enter the system in the test mode.)

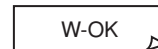
Press [B.BOOST] key. (Enter the system in ROM data transfer mode.)

Press [◀◀] (or [▶▶]) . (Select WRT)

Press [▶|] key for 1 second or longer. (Data transfer)



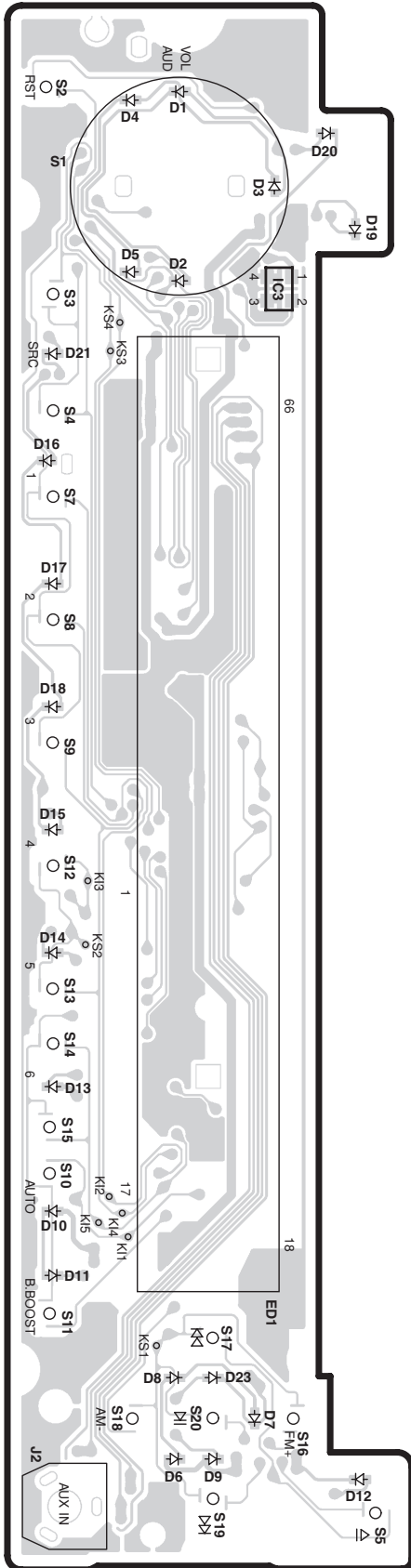
System μ-COM (IC1) copies data on the mother unit (X34-) into E2PROM in the front-end (A1)



Press [▶|] key. (Exit ROM data transfer mode.)

PC BOARD (COMPONENT SIDE VIEW)

SWITCH UNIT
X16-617x-xx (J76-0455-02)

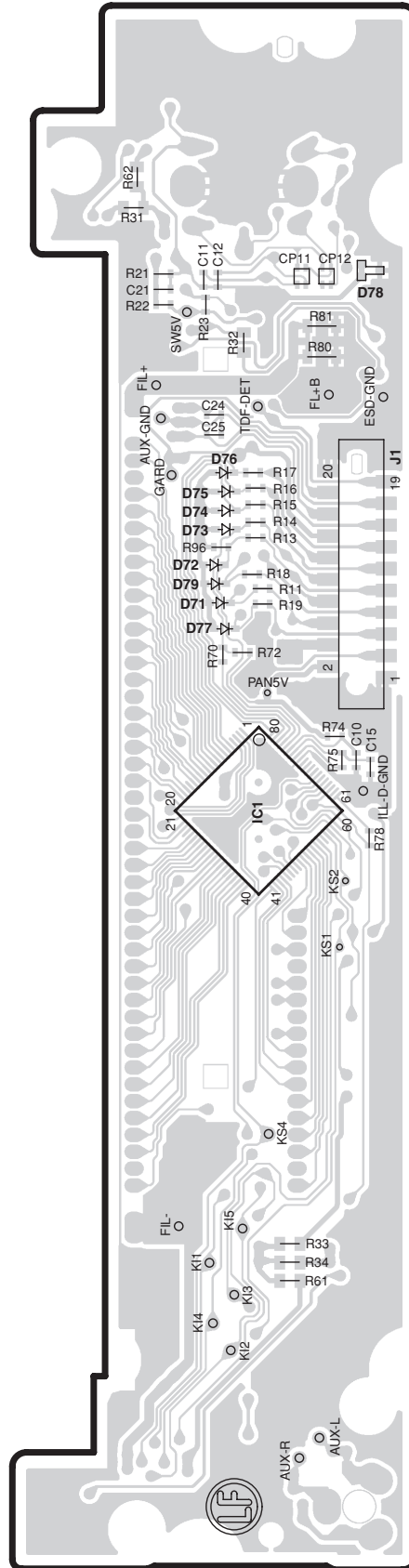


X16-617x-xx

Ref. No.	Address
IC3	2B

(FOIL SIDE VIEW)

SWITCH UNIT
X16-617x-xx (J76-0455-02)



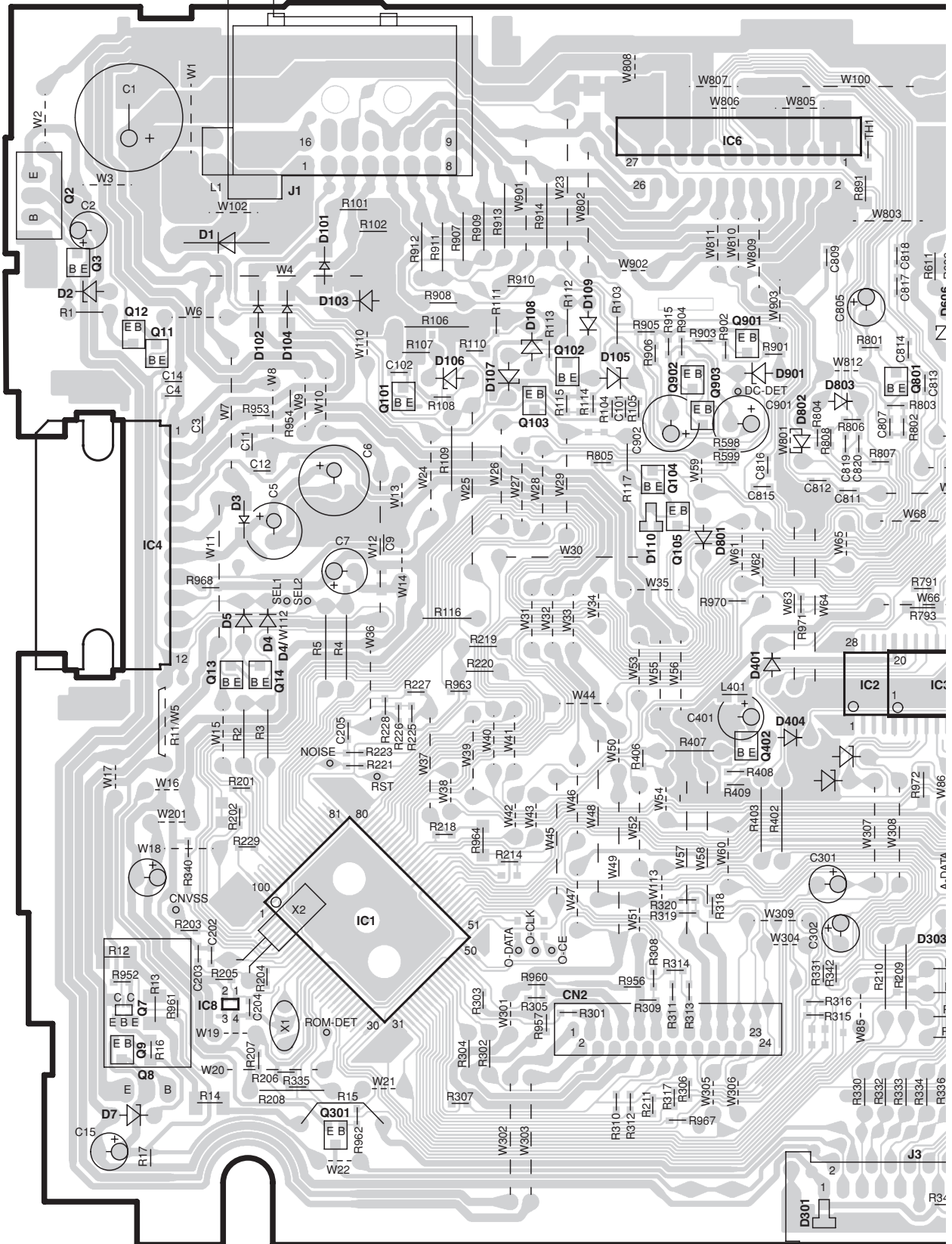
X16-617x-xx

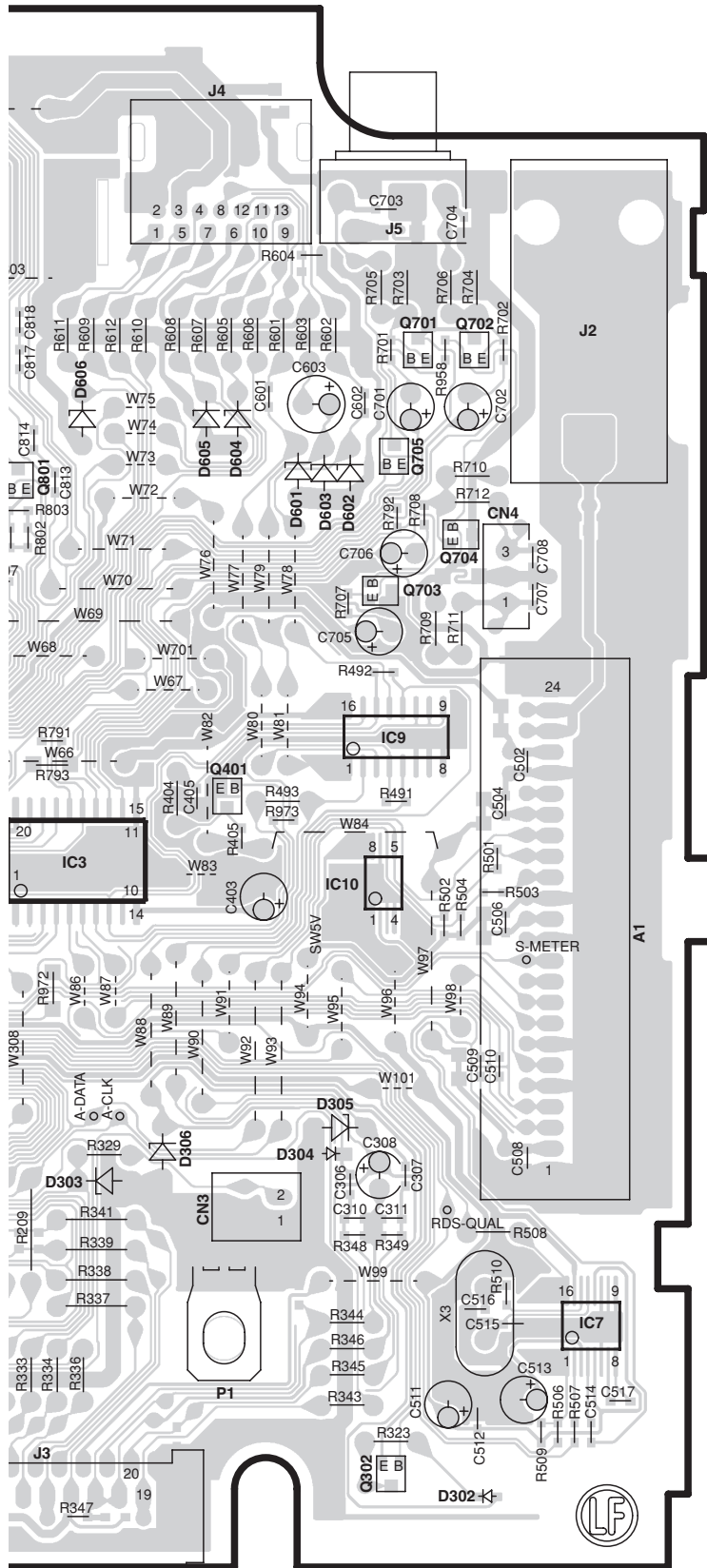
Ref. No.	Address
IC1	4D

Refer to the schematic diagram for the values of resistors and capacitors.

PC BOARD (FOIL SIDE VIEW)

ELECTRIC UNIT
X34-565x-xx (J76-0513-12)





X34-565x-xx

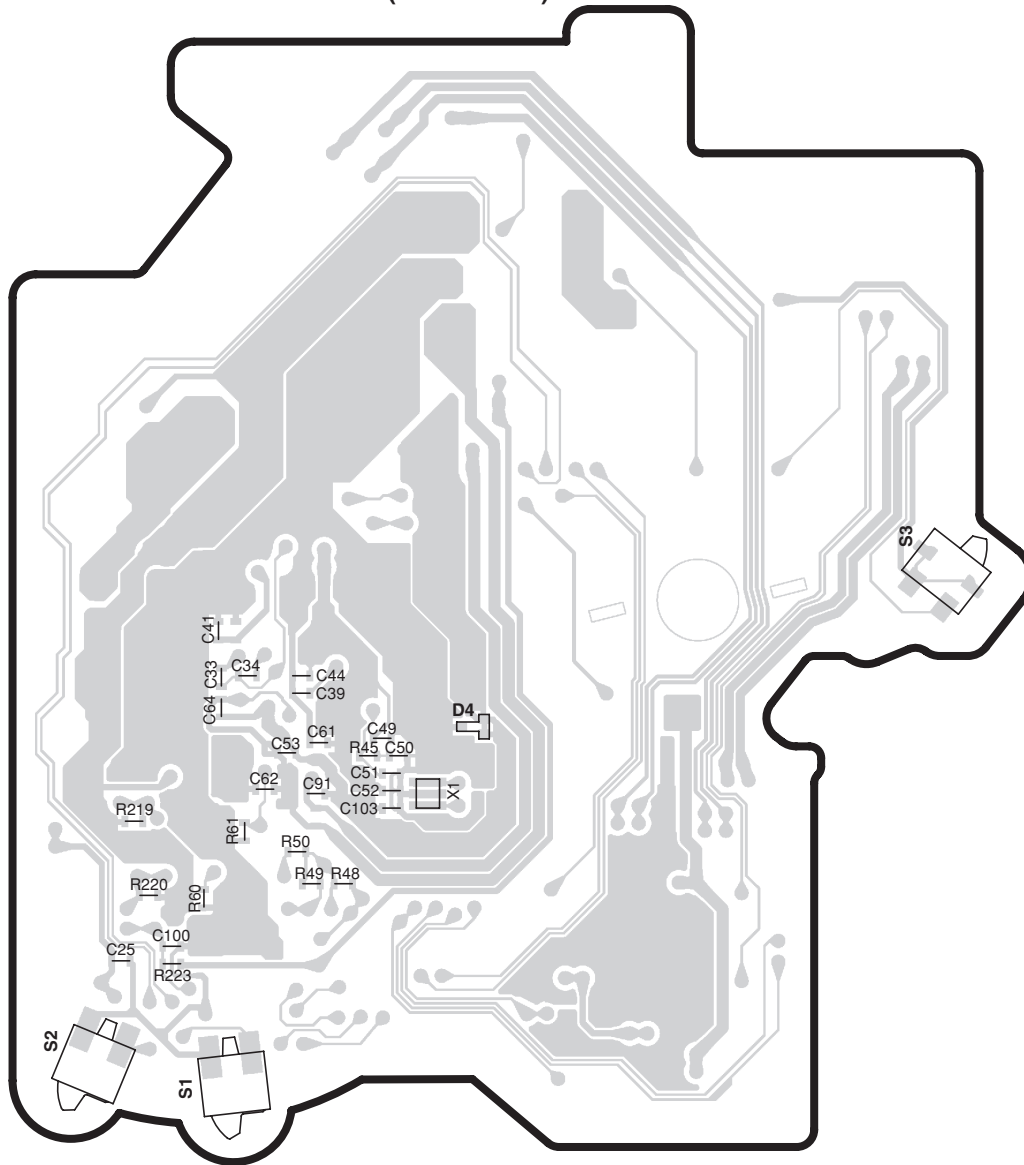
Ref. No.	Address
IC1	5H
IC2	4J
IC3	4K
IC4	4G
IC6	2J
IC7	6M
IC8	6G
Q2	2G
Q3	3G
Q7	6G
Q8	6G
Q9	6G
Q11	3G
Q12	3G
Q101	3H
Q102	3I
Q103	3I
Q104	4I
Q105	4I
Q301	6H
Q402	5J
Q701	3L
Q702	3L
Q705	3L
Q901	3J
Q902	3I
Q903	3I

Refer to the schematic diagram for the values of resistors and capacitors.

KDC-W241AY/W241GY/W3041A/W3041AY/W3041G
/W3041GY/W312A/W312AY/W312G/W312GY/W312SAY

PC BOARD (COMPONENT SIDE VIEW)

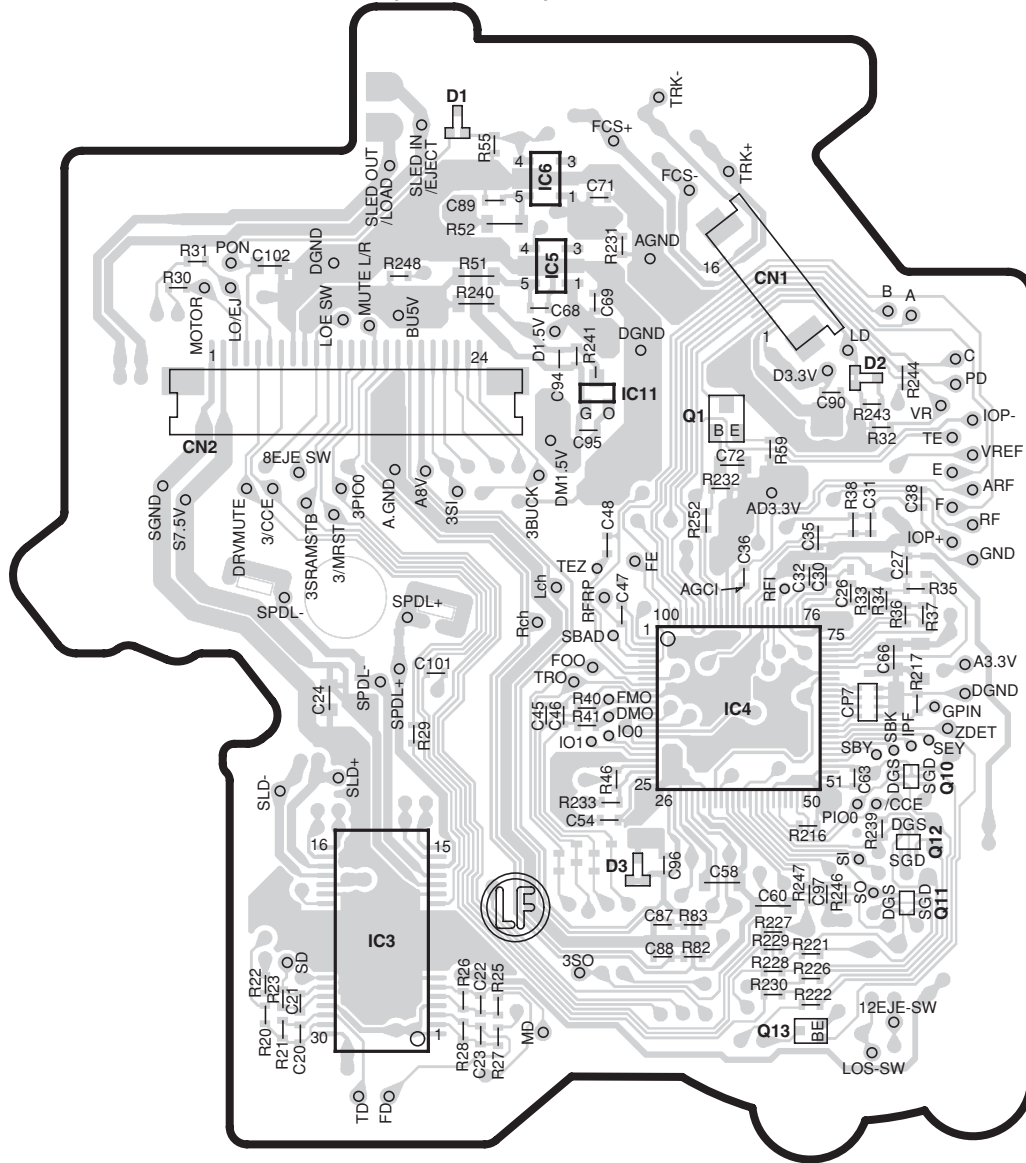
CD PLAYER UNIT X32-5970-02 (J76-0443-02)



Refer to the schematic diagram for the values of resistors and capacitors.

PC BOARD (FOIL SIDE VIEW)

CD PLAYER UNIT X32-5970-02 (J76-0443-02)



X32-5970-02

Ref. No.	Address	Ref. No.	Address
IC3	4V	Q1	3W
IC4	4W	Q10	4X
IC5	2W	Q11	4X
IC6	2W	Q12	4X
IC11	3W	Q13	5X

Refer to the schematic diagram for the values of resistors and capacitors.

IC6 VOLTAGE E-TDA7386		IC6 VOLTAGE TB2904HQ	
1	0V	1	0V
2	0V	2	0V
3	7.3V	3	7.0V
4	5V 0V	4	4.6V 0.5V
5	7.3V	5	7.0V
6	14.4V	6	14.4V
7	7.3V	7	7.0V
8	0V	8	0V
9	7.3V	9	7.0V
10	7.3V 0V	10	8.7V 0V
11	7.3V	11	3.8V
12	7.3V	12	3.8V
13	0V	13	0V
14	7.3V	14	3.8V
15	7.3V	15	3.8V
16	7.3V	16	3.8V
17	7.3V	17	7.0V
18	0V	18	0V
19	7.3V	19	7.0V
20	14.4V	20	14.4V
21	7.3V	21	7.0V
22	3.3V 0.6V	22	4.6V 0.5V
23	7.3V	23	7.0V
24	0V	24	0V
25	0V	25	5.0V

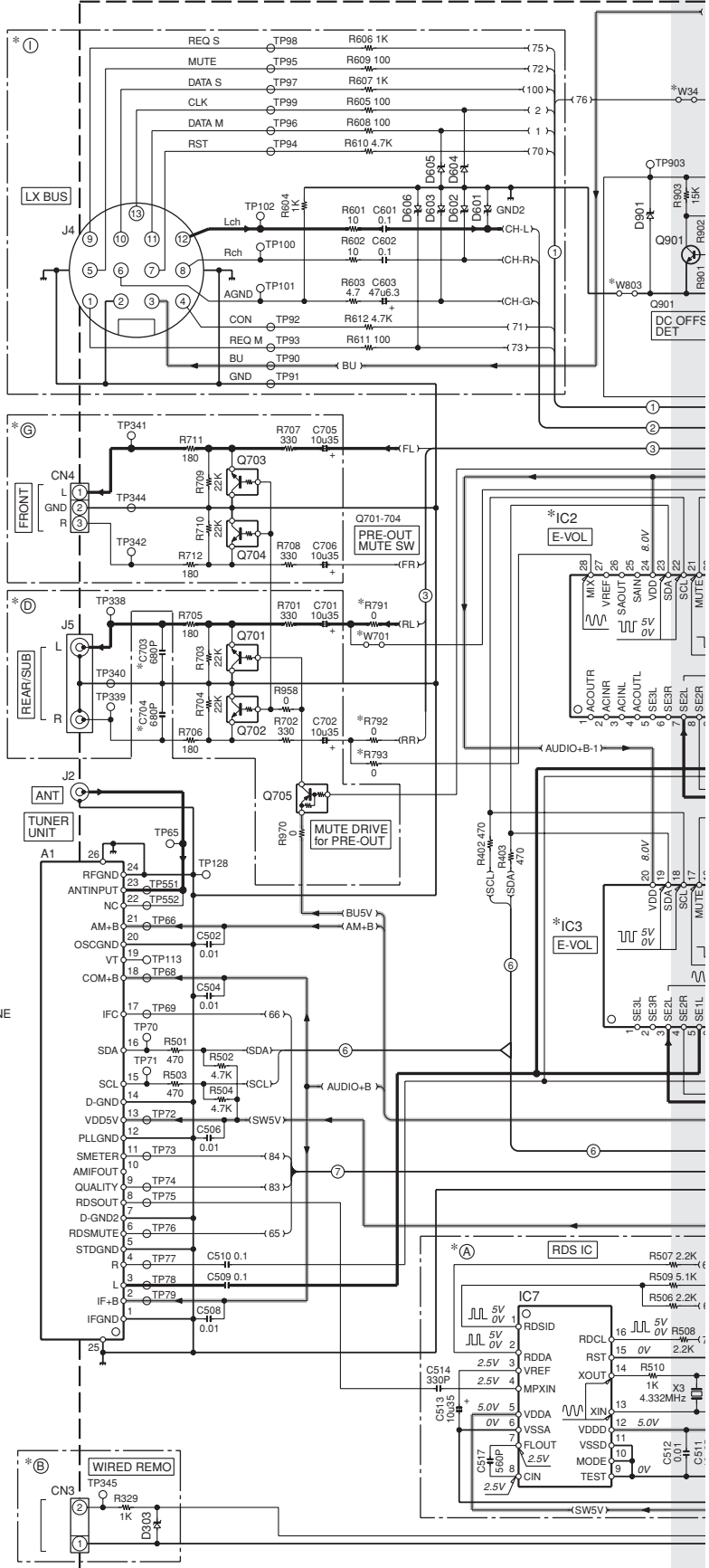
IC1 : *
 IC2 : E-TDA7419
 IC3 : E-TDA7418
 IC4 : BD4913-V4
 IC6 : *
 IC7 : LC72725KV
 IC8 : S-80836CNNB-J
 IC9 : HEF4053BT
 IC10 : NOT USED

Q2,8 : KTA1046-P
 Q3,9,101-103,402,901 : 2SC4081
 Q7 : UMC2N
 Q11,13 : RT1N241M
 Q12,14,705 : RT1P241M
 Q104,105,401 : RT1N441M
 Q301 : RT1P144M
 Q302,801 : RT1N144M
 Q701-704 : RT1N430M
 Q902,903 : 2SA1576A

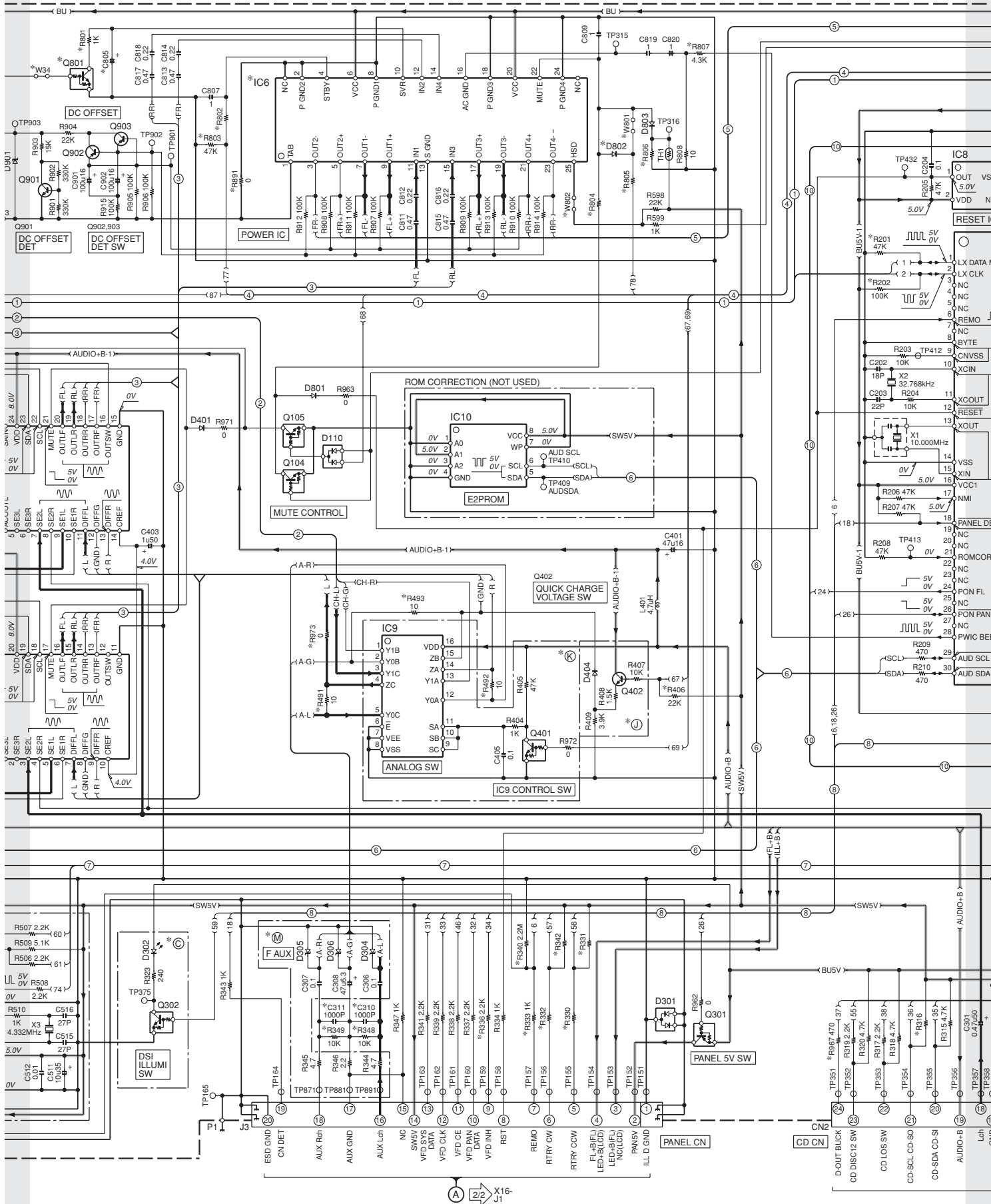
D1 : S2V60-5009F46
 D2 : MTZJ6.2(B)
 D3,101,102,104 : D1F60-5063
 D4,5,109,401,404,801-803 : 1SS133
 D7 : MTZJ12(B)
 D103 : 1SR139-400T64
 D105,901 : MTZJ4.7(B)
 D106-108,305,306,601-606 : MTZJ6.8(B)
 D110 : BAV70W
 D301 : DA204U
 D302 : B30-1567-05
 D303 : MTZJ6.2(B)
 D304 : UDZW6.8(B)

— SIGNAL LINE
 — GND LINE
 — +B LINE

ELECTRIC UNIT (X34-5xxx-xx)

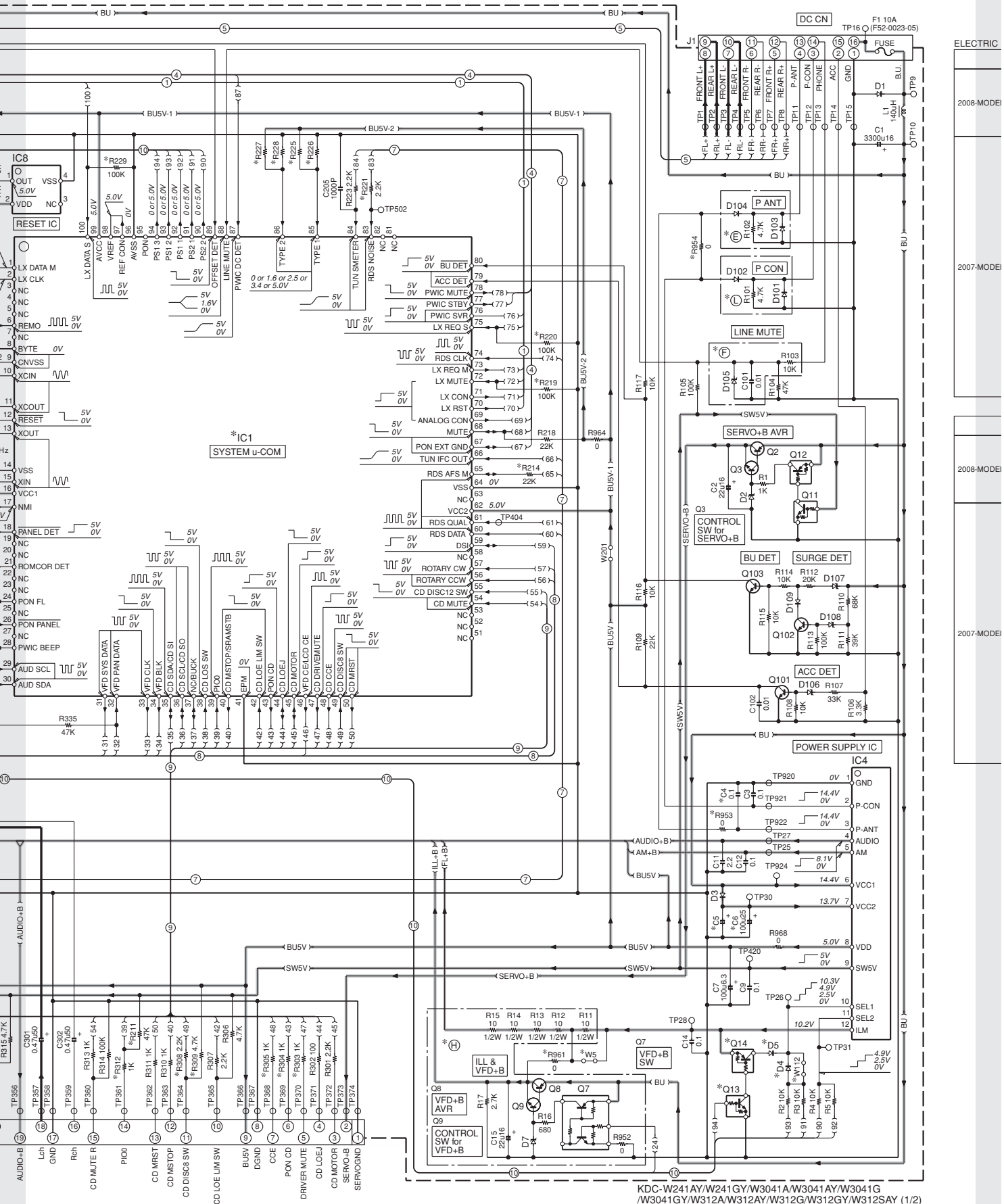


KDC-W241AY/W241GY/W3041A/W3041AY/W3041G
W3041GY/W312A/W312AY/W312G/W312GY/W312SAY



A 2/2 X16

KDC-W241AY/W241GY/W3041A/W3041AY/W3041G
 /W3041GY/W312A/W312AY/W312G/W312GY/W312SAY



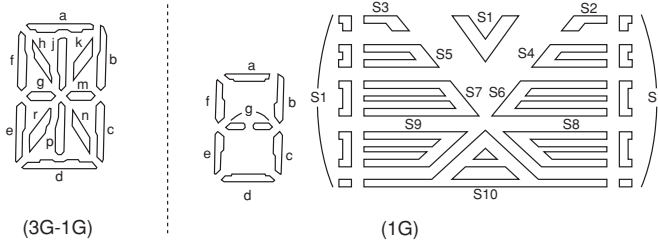
Model	Component	Value
2008-MODE	R102	4.7K
	R103	10K
2007-MODE	R102	4.7K
	R103	10K
2008-MODE	R104	4.7K
	R105	10K
2007-MODE	R104	4.7K
	R105	10K

KDC-W241AY/W241GY/W3041A/W3041AY/W3041G
 /W3041GY/W312A/W312AY/W312G/W312GY/W312SAY (1/2)

ELECTRIC UNIT (X34-5xxx-xx)

	MODEL NAME	DESTINATION	UNIT No.	A	B	C	D	E	F	G	H	I	R	J	L	M	C4	C5	C6	C310,311	C703,704	C805	D4,5	D802	IC1	IC2	IC3	IC6	Q13,14	Q801	R201,202,219,220,229	R211,303-305,312,967			
2008-MODEL	KDC-241SA/SG	E4/E5	X34-5652-70	YES	—	—	—	YES	YES	—	—	—	—	YES	YES	—	220u16	—	—	—	—	—	—	—	—	—	—	—	—	—	—	—			
	KDC-W241AY/GY	E8/E9	X34-5652-71	—	—	—	—	YES	YES	—	—	—	—	—	—	—	220u16	—	—	—	—	—	—	—	—	—	—	—	—	—	—	—			
	KDC-W3041A/G	E/E1	X34-5652-72	—	—	—	—	YES	YES	—	—	—	—	—	—	—	220u16	—	—	—	—	—	—	—	—	—	—	—	—	—	—	—			
	KDC-W3041AY/GY	E4/E5	X34-5652-73	YES	—	—	—	YES	YES	—	—	—	—	—	—	—	220u16	—	—	—	—	—	—	—	—	—	—	—	—	—	—	—	—		
	KDC-W312A/G	E2/E3	X34-5652-72	YES	—	—	—	YES	YES	—	—	—	—	—	—	—	220u16	—	—	—	—	—	—	—	—	—	—	—	—	—	—	—	—		
	KDC-W312AY/GY	E6/E7	X34-5652-73	YES	—	—	—	YES	YES	—	—	—	—	—	—	—	220u16	—	—	—	—	—	—	—	—	—	—	—	—	—	—	—	—		
KDC-W312SAY	F	X34-5652-73	YES	—	—	—	YES	YES	—	—	—	—	—	—	—	220u16	—	—	—	—	—	—	—	—	—	—	—	—	—	—	—	—			
2007-MODEL	E222/S	J1/J2	X34-5920-02	—	—	—	—	YES	YES	—	—	—	—	—	—	—	100u25	YES	—	—	—	—	—	—	—	—	—	—	—	—	—	—			
	E323S	J	X34-5920-01	—	—	—	—	YES	YES	—	—	—	—	—	—	—	100u25	YES	—	—	—	—	—	—	—	—	—	—	—	—	—	—	—		
	RDT-121	J3	X34-5940-01	—	—	—	—	YES	YES	—	—	—	—	—	—	—	100u25	YES	—	—	—	—	—	—	—	—	—	—	—	—	—	—	—		
	KDC-135	K4	X34-5940-10	—	—	—	—	YES	YES	—	—	—	—	—	—	—	220u16	—	—	—	—	—	—	—	—	—	—	—	—	—	—	—	—	—	
	KDC-135CR	K5	X34-5940-11	—	—	—	—	YES	YES	—	—	—	—	—	—	—	220u16	—	—	—	—	—	—	—	—	—	—	—	—	—	—	—	—	—	
	KDC-MP2035	K	X34-5920-10	—	—	—	—	YES	YES	—	—	—	—	—	—	—	220u16	—	—	—	—	—	—	—	—	—	—	—	—	—	—	—	—	—	—
	KDC-MP205	K2	X34-5920-12	—	—	—	—	YES	YES	—	—	—	—	—	—	—	220u16	—	—	—	—	—	—	—	—	—	—	—	—	—	—	—	—	—	—
	KDC-MP235	K1	X34-5920-11	—	—	—	—	YES	YES	—	—	—	—	—	—	—	220u16	—	—	—	—	—	—	—	—	—	—	—	—	—	—	—	—	—	—
	KDC-MP235CR	K3	X34-5920-13	—	—	—	—	YES	YES	—	—	—	—	—	—	—	220u16	—	—	—	—	—	—	—	—	—	—	—	—	—	—	—	—	—	—
	KDC-136	M7	X34-5940-21	—	—	—	—	YES	YES	—	—	—	—	—	—	—	220u16	—	—	—	—	—	—	—	—	—	—	—	—	—	—	—	—	—	—
	KDC-MP3036	M2	X34-5920-24	—	—	—	—	YES	YES	—	—	—	—	—	—	—	220u16	—	—	—	—	—	—	—	—	—	—	—	—	—	—	—	—	—	—
	KDC-MP3036AX	M1	X34-5920-22	—	—	—	—	YES	YES	—	—	—	—	—	—	—	220u16	—	—	—	—	—	—	—	—	—	—	—	—	—	—	—	—	—	—
	KDC-MP336S	M6/M	X34-5920-24	—	—	—	—	YES	YES	—	—	—	—	—	—	—	220u16	—	—	—	—	—	—	—	—	—	—	—	—	—	—	—	—	—	—
	KDC-MP336AX/AXS	M3/M4	X34-5920-23	—	—	—	—	YES	YES	—	—	—	—	—	—	—	220u16	—	—	—	—	—	—	—	—	—	—	—	—	—	—	—	—	—	—
	KDC-MP4036AX	M5	X34-5920-21	—	—	—	—	YES	YES	—	—	—	—	—	—	—	220u16	—	—	—	—	—	—	—	—	—	—	—	—	—	—	—	—	—	—
	KDC-237SA/SG	E9/F1	X34-5932-78	YES	—	—	—	YES	YES	—	—	—	—	—	—	—	220u16	—	—	—	—	—	—	—	—	—	—	—	—	—	—	—	—	—	—
	KDC-237SA/SGY	E9/F1	X34-5932-78	YES	—	—	—	YES	YES	—	—	—	—	—	—	—	220u16	—	—	—	—	—	—	—	—	—	—	—	—	—	—	—	—	—	—
	KDC-W237A/G	E7/E8	X34-5932-76	—	—	—	—	YES	YES	—	—	—	—	—	—	—	220u16	—	—	—	—	—	—	—	—	—	—	—	—	—	—	—	—	—	—
	KDC-W237AY/GY	E7/E8	X34-5932-77	—	—	—	—	YES	YES	—	—	—	—	—	—	—	220u16	—	—	—	—	—	—	—	—	—	—	—	—	—	—	—	—	—	—
	KDC-W3037A/G	E3/E4	X34-5932-74	YES	—	—	—	YES	YES	—	—	—	—	—	—	—	220u16	—	—	—	—	—	—	—	—	—	—	—	—	—	—	—	—	—	—
	KDC-W3037AY/GY	E3/E4	X34-5932-75	YES	—	—	—	YES	YES	—	—	—	—	—	—	—	220u16	—	—	—	—	—	—	—	—	—	—	—	—	—	—	—	—	—	—
	KDC-W311A/G	E5/E6	X34-5932-74	YES	—	—	—	YES	YES	—	—	—	—	—	—	—	220u16	—	—	—	—	—	—	—	—	—	—	—	—	—	—	—	—	—	—
	KDC-W311AY/GY	E5/E6	X34-5932-75	YES	—	—	—	YES	YES	—	—	—	—	—	—	—	220u16	—	—	—	—	—	—	—	—	—	—	—	—	—	—	—	—	—	—
	KDC-W3537A/G	E1/E2	X34-5932-72	YES	—	—	—	YES	YES	—	—	—	—	—	—	—	220u16	—	—	—	—	—	—	—	—	—	—	—	—	—	—	—	—	—	—
	KDC-W3537AY/GY	E1/E2	X34-5932-73	YES	—	—	—	YES	YES	—	—	—	—	—	—	—	220u16	—	—	—	—	—	—	—	—	—	—	—	—	—	—	—	—	—	—
	KDC-W4037	E	X34-5932-70	YES	—	—	—	YES	YES	—	—	—	—	—	—	—	220u16	—	—	—	—	—	—	—	—	—	—	—	—	—	—	—	—	—	—
	KDC-W4037Y	E	X34-5932-71	YES	—	—	—	YES	YES	—	—	—	—	—	—	—	220u16	—	—	—	—	—	—	—	—	—	—	—	—	—	—	—	—	—	—

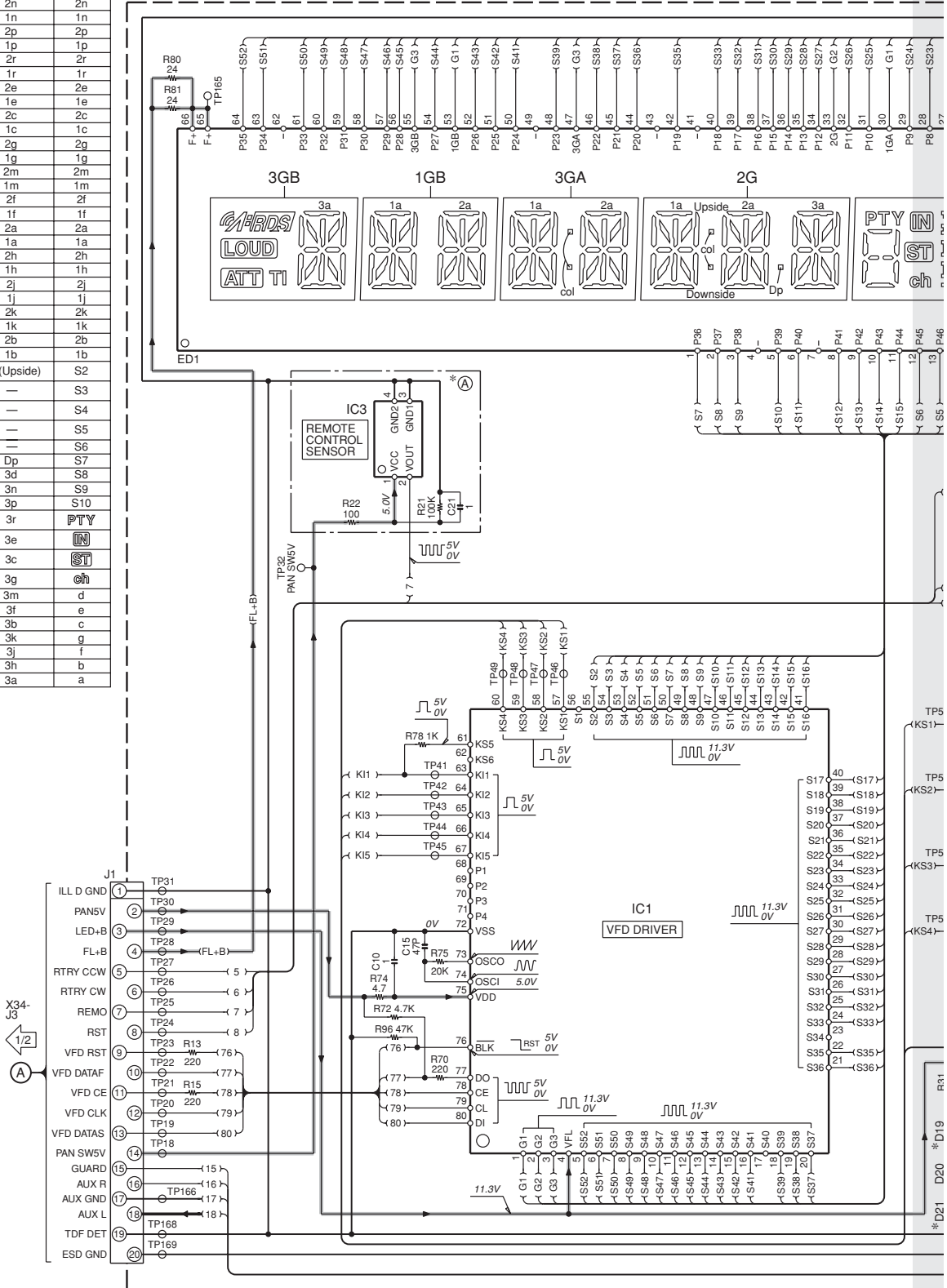
	MODEL NAME	DESTINATION	UNIT No.	R214,221	R225	R226	R227	R228	R308,309	R316	R330,332	R331,342	R333	R336	R340	R348,349	R406	R491,493	R791,792	R793	R801,803,891	R802	R804	R805	R806	R807	R953	R954	R961	R973	W5	W34	W112	W701	W801-803	
2008-MODEL	KDC-241SA/SG	E4/E5	X34-5652-70	YES	—	—	—	—	—	—	—	—	—	—	—	—	—	—	—	—	—	—	—	—	—	—	—	—	—	—	—	—	—	—	—	
	KDC-W241AY/GY	E8/E9	X34-5652-71	—	47K	22K	47K	22K	—	—	—	—	—	—	—	—	—	—	—	—	—	—	—	—	—	—	—	—	—	—	—	—	—	—	—	
	KDC-W3041A/G	E/E1	X34-5652-72	—	47K	47K	—	47K	—	—	—	—	—	—	—	—	—	—	—	—	—	—	—	—	—	—	—	—	—	—	—	—	—	—	—	—
	KDC-W3041AY/GY	E4/E5	X34-5652-73	YES	22K	47K	—	47K	—	—	—	—	—	—	—	—	—	—	—	—	—	—	—	—	—	—	—	—	—	—	—	—	—	—	—	—
	KDC-W312A/G	E2/E3	X34-5652-72	YES	47K	47K	—	47K	—	—	—	—	—	—	—	—	—	—	—	—	—	—	—	—	—	—	—	—	—	—	—	—	—	—	—	—
	KDC-W312AY/GY	E6/E7	X34-5652-73	YES	22K	47K	—	47K	—	—	—	—	—	—	—	—	—	—	—	—	—	—	—	—	—	—	—	—	—	—	—	—	—	—	—	—
KDC-W312SAY	F	X34-5652-73	YES	22K	47K	—	47K	—	—	—	—	—	—	—	—	—	—	—	—	—	—	—	—	—	—	—	—	—	—	—	—	—	—	—	—	
2007-MODEL	E222/S	J1/J2	X34-5920-02	—	47K	47K	—	47K	—	—	—	—	—	—	—	—	—	—	—	—	—	—	—	—	—	—	—	—	—	—	—	—	—	—	—	
	E323S	J	X34-5920-01	—	47K	47K	—	47K																												



ANODE CONNECTION

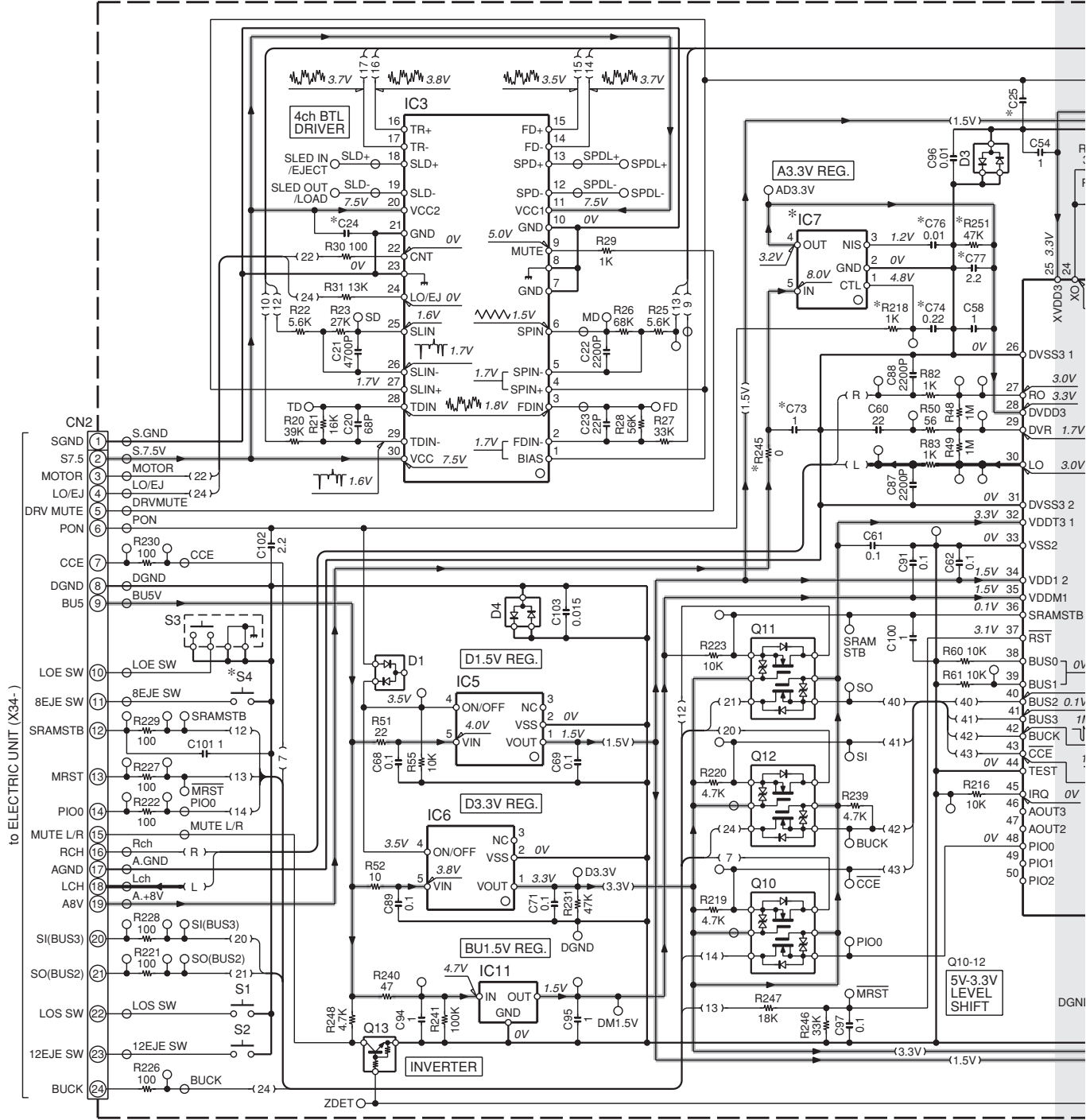
PIN NAME	3GA,3GB	2G	1GA,1GB
P1	—	col (Downside)	S1
P2	2d	2d	2d
P3	1d	1d	1d
P4	2n	2n	2n
P5	1n	1n	1n
P6	2p	2p	2p
P7	1p	1p	1p
P8	2r	2r	2r
P9	1r	1r	1r
P10	2e	2e	2e
P11	1e	1e	1e
P12	2c	2c	2c
P13	1c	1c	1c
P14	2g	2g	2g
P15	1g	1g	1g
P16	2m	2m	2m
P17	1m	1m	1m
P18	2f	2f	2f
P19	1f	1f	1f
P20	2a	2a	2a
P21	1a	1a	1a
P22	2h	2h	2h
P23	1h	1h	1h
P24	2j	2j	2j
P25	1j	1j	1j
P26	2k	2k	2k
P27	1k	1k	1k
P28	2b	2b	2b
P29	1b	1b	1b
P30	col (Upside)	S2	
P31	LOUD	—	S3
P32	ATT	—	S4
P33	TI	—	S5
P34	—	—	S6
P35	col	Dp	S7
P36	3d	3d	S8
P37	3n	3n	S9
P38	3p	3p	S10
P39	3r	3r	PTY
P40	3e	3e	IN
P41	3c	3c	ST
P42	3g	3g	ch
P43	3m	3m	d
P44	3f	3f	e
P45	3b	3b	c
P46	3k	3k	g
P47	3j	3j	f
P48	3h	3h	b
P49	3a	3a	a

SWITCH UNIT (X16-617x-xx)



KDC-W241AY/W241GY/W3041A/W3041AY/W3041G
 /W3041GY/W312A/W312AY/W312G/W312GY/W312SAY

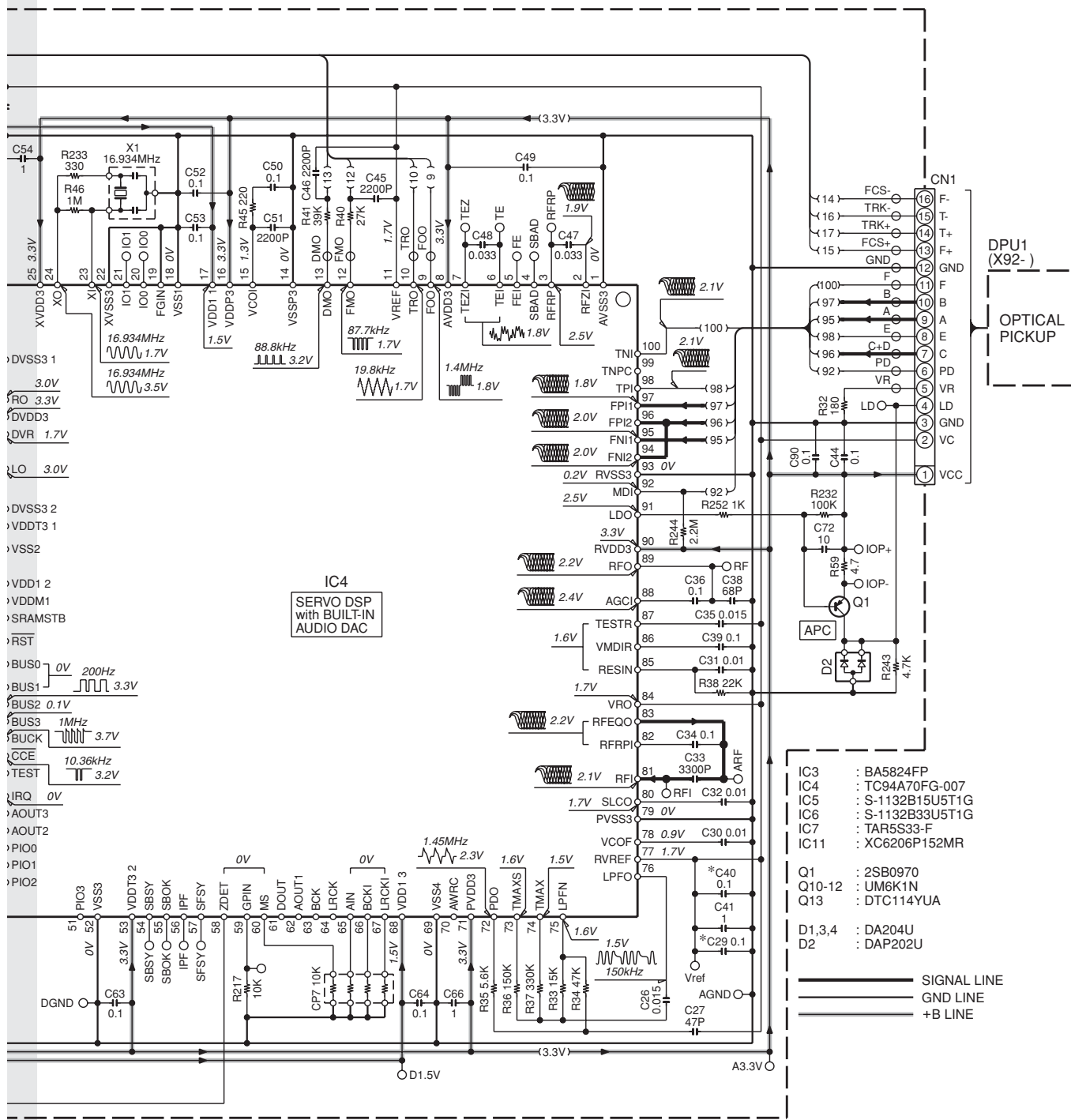
CD PLAYER UNIT (X32-597x-xx)



CAUTION : For continued safety, replace safety critical components only with manufacturer's recommended parts (refer to parts list).

△ Indicates safety critical components. To reduce the risk of electric shock, leakage-current or resistance measurements shall be carried out (exposed parts are acceptably insulated from the supply circuit) before the appliance is returned to the customer.

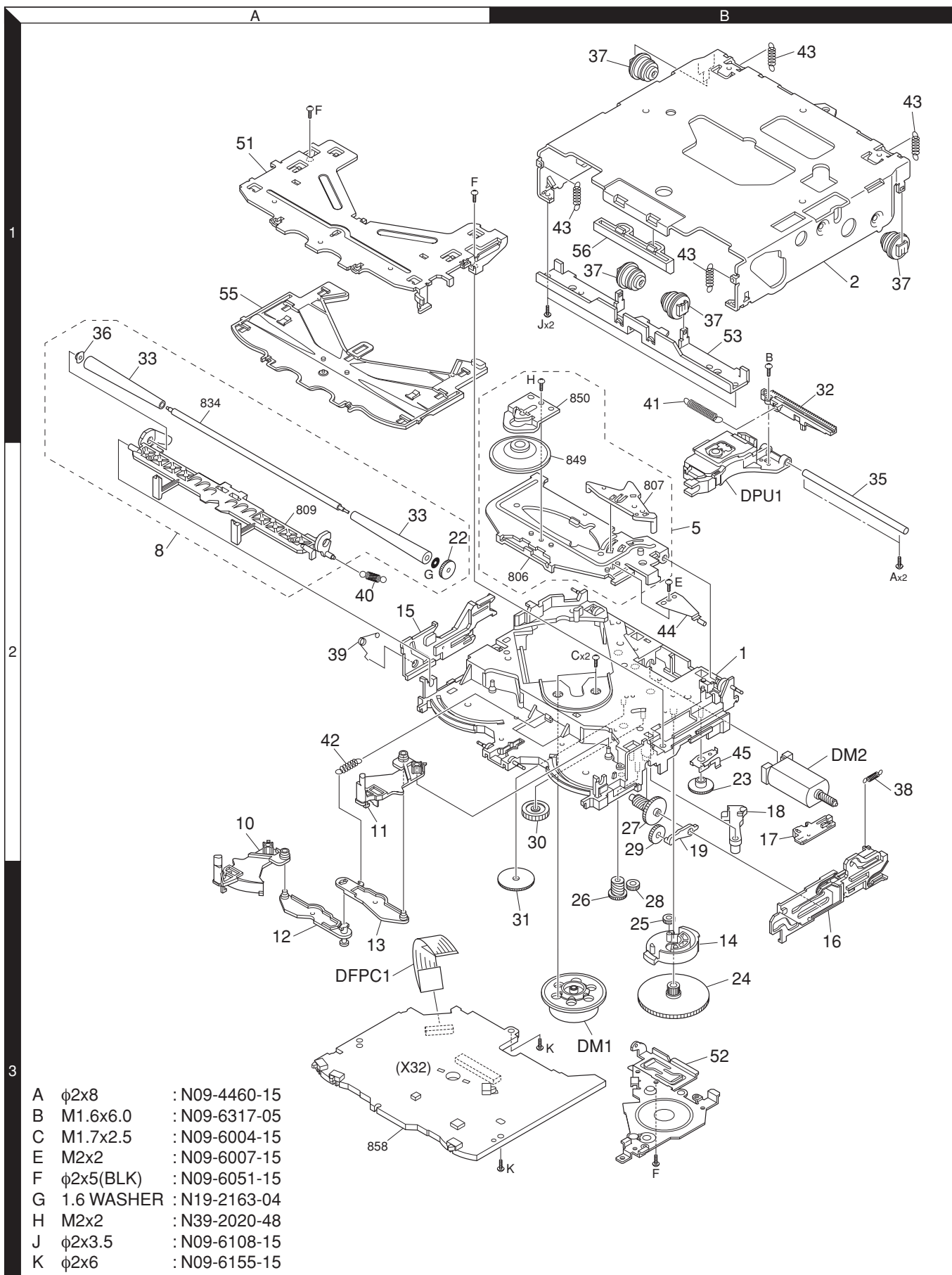
- DC voltages are as measured with a high impedance voltmeter. Values may vary slightly due to variations between individual instruments or/and units.



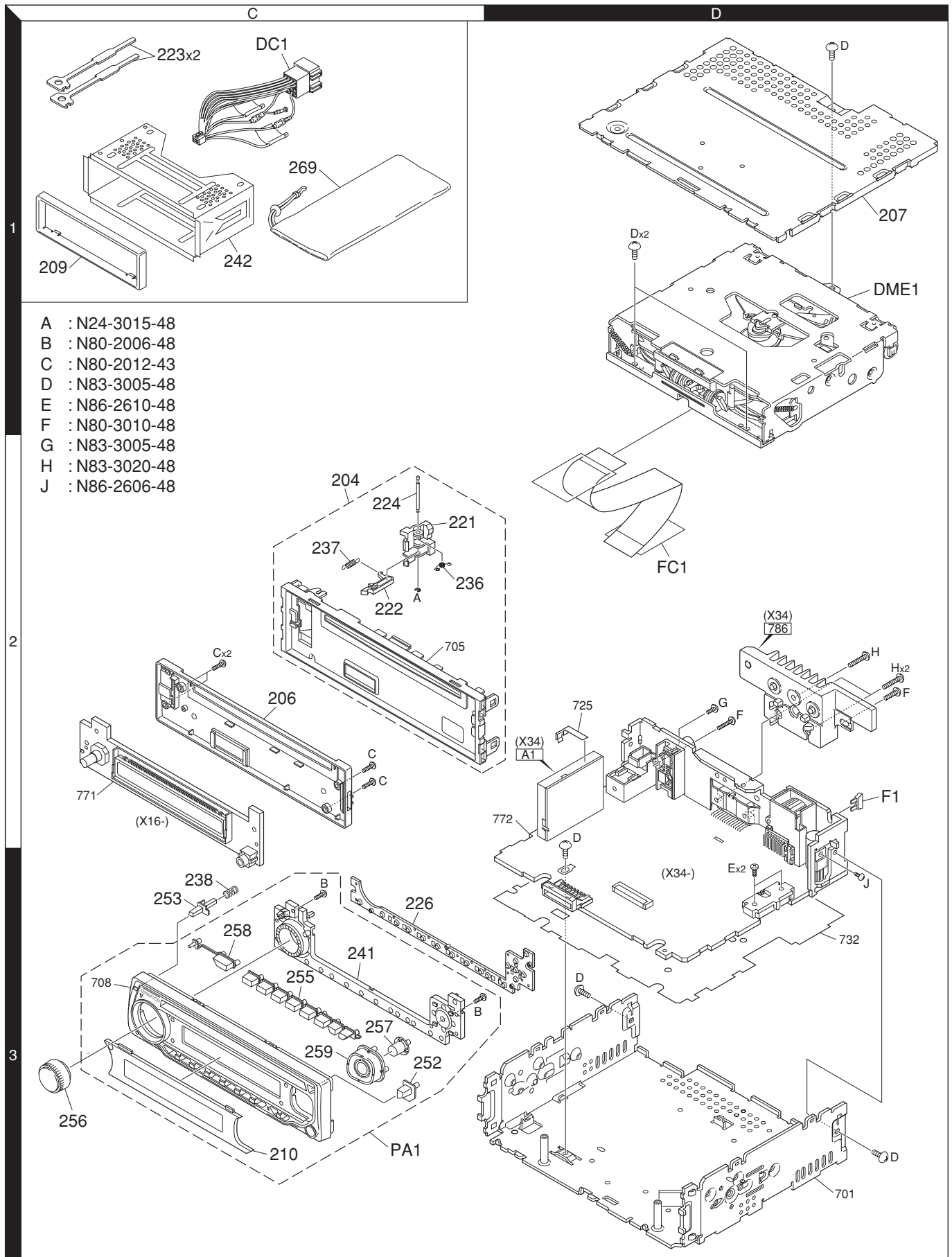
(X32-597x-xx)

PC BOARD	DESTINATION	UNIT No.	C24	C25	C29,40,73,74,76,77	IC7	R218,245,251	S4
J76-0366	J/K/M/E	0-00	4.7	10	YES	YES	YES	—
		0-01	4.7	10	YES	YES	YES	YES
J76-0443	J/K/M/E	0-02	2.2	1	—	—	—	—

EXPLODED VIEW (CD MECHANISM)



EXPLODED VIEW (UNIT)



Parts with the exploded numbers larger than 700 are not supplied.

PARTS LIST

* New parts

Parts without **Parts No.** are not supplied.

Les articles non mentionnés dans le **Parts No.** ne sont pas fournis.

Teile ohne **Parts No.** werden nicht geliefert.

Ref. No.	Ad	New	Parts No.	Description	Destination
KDC-W241AY/W241GY/W3041A/W3041AY/W3041G /W3041GY/W312A/W312AY/W312G/W312GY/W312SAY					
204	2C	*	A22-3149-03	SUB PANEL ASSY	
206	2C	*	A46-1861-01	REAR COVER	
207	1D		A52-0804-12	TOP PLATE	
PA1	3C	*	A64-4289-02	PANEL ASSY	E1
PA1	3C	*	A64-4289-02	PANEL ASSY	E4E5E
PA1	3C	*	A64-4290-02	PANEL ASSY	E3
PA1	3C	*	A64-4290-02	PANEL ASSY	E6E7E2
PA1	3C	*	A64-4292-02	PANEL ASSY	E8E9
PA1	3C	*	A64-4293-02	PANEL ASSY	F
-			B46-0690-04	ID CARD	
-		*	B64-3903-00	INST. MANUAL (ENG.ITA.)	
-		*	B64-3904-00	INST. MANUAL (FRE.GER.DUT.)	EE1E2
-		*	B64-3904-00	INST. MANUAL (SPA.POR.)	EE1E2
-		*	B64-3904-00	INST. MANUAL (FRE.GER.DUT.)	E3
-		*	B64-3904-00	INST. MANUAL (SPA.POR.)	E3
-		*	B64-3906-00	INST. MANUAL (RUSSIAN)	E4E5E6
-		*	B64-3906-00	INST. MANUAL (RUSSIAN)	E7E8E9
-		*	B64-3906-00	INST. MANUAL (RUSSIAN)	F
-		*	B64-3908-00	INST. MANUAL (GERMAN)	F
209	1C		B07-3122-01	ESCUTCHEON	
210	3C	*	B10-5009-01	FRONT GLASS	E1
210	3C	*	B10-5009-01	FRONT GLASS	E4E5E
210	3C	*	B10-5010-01	FRONT GLASS	E3
210	3C	*	B10-5010-01	FRONT GLASS	E6E7E2
210	3C	*	B10-5012-01	FRONT GLASS	E8E9
210	3C	*	B10-5013-01	FRONT GLASS	F
221	2C		D10-4446-03	LEVER	
222	2C		D10-4447-03	LEVER	
223	1C		D10-4589-04	LEVER	
224	2C		D21-2329-04	SHAFT	
226	3C	*	E29-2115-02	CONDUCTIVE RUBBER	
DC1	1C		E30-6427-05	DC CORD	
FC1	2D	*	E39-0958-05	FLAT CABLE	
F1	2D		F52-0023-05	FUSE (MINI BLADE TYPE) (10A)	
236	2C		G01-2987-04	TORSION COIL SPRING	
237	2C		G01-3096-04	EXTENSION SPRING	
238	3C		G01-3244-04	COMPRESSION SPRING (REL)	
-		*	H54-4168-03	ITEM CARTON CASE	E
-		*	H54-4169-03	ITEM CARTON CASE	E1
-		*	H54-4170-03	ITEM CARTON CASE	E2
-		*	H54-4171-03	ITEM CARTON CASE	E3
-		*	H54-4176-03	ITEM CARTON CASE	E4
-		*	H54-4177-03	ITEM CARTON CASE	E5
-		*	H54-4178-03	ITEM CARTON CASE	E6
-		*	H54-4179-03	ITEM CARTON CASE	E7
-		*	H54-4180-03	ITEM CARTON CASE	E8
-		*	H54-4181-03	ITEM CARTON CASE	E9
-		*	H54-4182-03	ITEM CARTON CASE	F
241	3C	*	J19-7186-01	HOLDER	
242	1C		J21-9716-03	MOUNTING HARDWARE ASSY	

Ref. No.	Ad	New	Parts No.	Description	Destination
252	3C	*	K24-4783-04	PUSH KNOB (EJECT)	
253	3C	*	K24-4786-04	PUSH KNOB (RELEASE)	
255	3C	*	K25-1906-02	PUSH KNOB (PRESET)	
256	3C	*	K28-0272-04	KNOB ASSY (VOL)	
257	3C	*	K24-4789-04	PUSH KNOB (PLAY/PAUSE)	
258	3C	*	K25-1909-03	PUSH KNOB (RESET/SRC)	
259	3C	*	K25-1912-03	PUSH KNOB (FM/AM)	
A	2C		N24-3015-48	E TYPE RETAINING RING	
B	3C		N80-2006-48	PAN HEAD TAPTITE SCREW	
C	2C		N80-2012-43	PAN HEAD TAPTITE SCREW	
D	1D		N83-3005-48	PAN HEAD TAPTITE SCREW	
E	3D		N86-2610-48	BINDING HEAD TAPTITE SCREW	
269	1C		W01-1691-05	CARRYING CASE	
DME1	1D	*	X92-5880-06	MECHANISM ASSY (DXM-6E06W)	
SWITCH UNIT (X16-617x-xx)					
D1,2		*	B30-1779-05	LED (1608,SR)	EE2F
D1,2		*	B30-1779-05	LED (1608,SR)	E4E6E8
D3-8		*	B30-1780-05	LED (1608,PG)	E1E3
D3-8		*	B30-1780-05	LED (1608,PG)	E5E7E9
D9-11		*	B30-1779-05	LED (1608,SR)	EE2F
D9-11		*	B30-1779-05	LED (1608,SR)	E4E6E8
D10-19		*	B30-1780-05	LED (1608,PG)	E1E3
D10-19		*	B30-1780-05	LED (1608,PG)	E5E7E9
D12			B30-1566-05	LED (1608,RED)	EE2F
D12			B30-1566-05	LED (1608,RED)	E4E6E8
D13-18		*	B30-1779-05	LED (1608,SR)	EE2F
D13-18		*	B30-1779-05	LED (1608,SR)	E4E6E8
D19,20			B30-1566-05	LED (1608,RED)	EE2F
D19,20			B30-1566-05	LED (1608,RED)	E4E6E8
D20			B30-1566-05	LED (1608,RED)	E1E3
D20			B30-1566-05	LED (1608,RED)	E5E7E9
D21		*	B30-1779-05	LED (1608,SR)	EE2F
D21		*	B30-1779-05	LED (1608,SR)	E4E6E8
D21		*	B30-1780-05	LED (1608,PG)	E1E3
D21		*	B30-1780-05	LED (1608,PG)	E5E7E9
D23		*	B30-1779-05	LED (1608,SR)	EE2F
D23		*	B30-1779-05	LED (1608,SR)	E4E6E8
C10			CK73GB1A105K	CHIP C 1.0UF K	
C11,12			CK73GB1H103K	CHIP C 0.010UF K	
C15			CC73GCH1H470J	CHIP C 47PF J	
C21			CK73GB1A105K	CHIP C 1.0UF K	E2E3F
C21			CK73GB1A105K	CHIP C 1.0UF K	E4E5E6
C21			CK73GB1A105K	CHIP C 1.0UF K	E7EE1
J1			E59-0852-05	RECTANGULAR PLUG	
J2			E11-0649-05	3.5D PHONE JACK	
CP11			RK74GA1J101J	CHIP-COM 100 J 1/16W	
R13			RK73GB2A221J	CHIP R 220 J 1/10W	
R15			RK73GB2A221J	CHIP R 220 J 1/10W	
R21			RK73GB2A104J	CHIP R 100K J 1/10W	E2E3F
R21			RK73GB2A104J	CHIP R 100K J 1/10W	E4E5E6
R21			RK73GB2A104J	CHIP R 100K J 1/10W	E7EE1

E : KDC-W3041A E1 : KDC-W3041G E2 : KDC-W312A E3 : KDC-312G E4 : KDC-W3041AY E5 : KDC-W3041GY Δ Indicates safety critical components.
 E6 : KDC-W312AY E7 : KDC-W312GY E8 : KDC-W241AY E9 : KDC-W241GY F : KDC-W312SAY (E : Europe F : Europe)

KDC-W241AY/W241GY/W3041A/W3041AY/W3041G
/W3041GY/W312A/W312AY/W312G/W312GY/W312SAY
PARTS LIST

SWITCH UNIT (X16-617x-xx)

Ref. No.	Add	New	Parts No.	Description	Destination
R22			RK73GB2A101J	CHIP R 100 J 1/10W	E2E3F
R22			RK73GB2A101J	CHIP R 100 J 1/10W	E4E5E6
R22			RK73GB2A101J	CHIP R 100 J 1/10W	E7EE1
R31-34			RK73FB2B471J	CHIP R 470 J 1/8W	
R61,62			RK73FB2B471J	CHIP R 470 J 1/8W	E1E3
R61,62			RK73FB2B471J	CHIP R 470 J 1/8W	E5E7E9
R61,62			RK73FB2B751J	CHIP R 750 J 1/8W	EE2F
R61,62			RK73FB2B751J	CHIP R 750 J 1/8W	E4E6E8
R70			RK73GB2A221J	CHIP R 220 J 1/10W	
R72			RK73GB2A472J	CHIP R 4.7K J 1/10W	
R74			RK73GB2A4R7J	CHIP R 4.7 J 1/10W	
R75			RK73GB2A203J	CHIP R 20K J 1/10W	
R78			RK73GB2A102J	CHIP R 1.0K J 1/10W	
R80,81	*		RK73EB2E240J	CHIP R 24 J 1/4W	
R96			RK73GB2A473J	CHIP R 47K J 1/10W	
S1			T99-0474-05	ROTARY ENCODER	
ED1	*		3-BT-257N	FLUORESCENT INDICATOR TUBE	
IC1	*		LC75756W	MOS-IC	
IC3	*		PIC95603	ANALOGUE IC	E2E3F
IC3	*		PIC95603	ANALOGUE IC	E4E5E6
IC3	*		PIC95603	ANALOGUE IC	E7EE1
CD PLAYER UNIT (X32-5970-02) IN CD MECHA					
C20			CC73GCH1H680J	CHIP C 68PF J	
C21			CK73GB1H472K	CHIP C 4700PF K	
C22			CK73GB1H222K	CHIP C 2200PF K	
C23			CC73GCH1H220J	CHIP C 22PF J	
C24			CK73FB1A225K	CHIP C 2.2UF K	
C25			CK73GB1A105K	CHIP C 1.0UF K	
C26			CK73GB1H153K	CHIP C 0.015UF K	
C27			CC73GCH1H470J	CHIP C 47PF J	
C30-32			CK73GB1H103K	CHIP C 0.010UF K	
C33			CK73GB1H332K	CHIP C 3300PF K	
C34			C93-1451-05	CHIP C 0.10UF K	
C35			CK73GB1H153K	CHIP C 0.015UF K	
C36			C93-1451-05	CHIP C 0.10UF K	
C38			CC73GCH1H680J	CHIP C 68PF J	
C39			C93-1451-05	CHIP C 0.10UF K	
C41			CK73GB1A105K	CHIP C 1.0UF K	
C44			C93-1451-05	CHIP C 0.10UF K	
C45,46			CK73GB1H222K	CHIP C 2200PF K	
C47,48			CK73GB1H333K	CHIP C 0.033UF K	
C49,50			C93-1451-05	CHIP C 0.10UF K	
C51			CK73GB1H222K	CHIP C 2200PF K	
C52,53			C93-1451-05	CHIP C 0.10UF K	
C54			CK73GB1A105K	CHIP C 1.0UF K	
C58			CK73EB1E105K	CHIP C 1.0UF K	
C60			CK73EB0J226K	CHIP C 22UF K	
C61-64			C93-1451-05	CHIP C 0.10UF K	
C66			CK73FB1C105K	CHIP C 1.0UF K	
C68,69			C93-1451-05	CHIP C 0.10UF K	
C71			C93-1451-05	CHIP C 0.10UF K	
C72			CK73FB0J106K	CHIP C 10UF K	
C87,88			CK73GB1H222K	CHIP C 2200PF K	
C89-91			C93-1451-05	CHIP C 0.10UF K	

Ref. No.	Add	New	Parts No.	Description	Destination
C94,95			CK73GB1A105K	CHIP C 1.0UF K	
C96			CK73GB1H103K	CHIP C 0.010UF K	
C97			C93-1451-05	CHIP C 0.10UF K	
C100,101			CK73GB1A105K	CHIP C 1.0UF K	
C102			CK73FB1A225K	CHIP C 2.2UF K	
C103			CK73GB1H153K	CHIP C 0.015UF K	
CN1			E41-2612-05	FLAT CABLE CONNECTOR	
CN2			E41-2083-15	FLAT CABLE CONNECTOR	
X1			L78-1221-05	RESONATOR (16.93MHZ)	
CP7			RK74GB1J103J	CHIP-COM 10K J 1/16W	
R20			RK73GB2A393J	CHIP R 39K J 1/10W	
R21			RK73GB2A163J	CHIP R 16K J 1/10W	
R22			RK73GB2A562J	CHIP R 5.6K J 1/10W	
R23			RK73GB2A273J	CHIP R 27K J 1/10W	
R25			RK73GB2A562J	CHIP R 5.6K J 1/10W	
R26			RK73GB2A683J	CHIP R 68K J 1/10W	
R27			RK73GB2A333J	CHIP R 33K J 1/10W	
R28			RK73GB2A563J	CHIP R 56K J 1/10W	
R29			RK73GB2A102J	CHIP R 1.0K J 1/10W	
R30			RK73GB2A101J	CHIP R 100 J 1/10W	
R31			RK73GB2A133J	CHIP R 13K J 1/10W	
R32			RK73GB2A181J	CHIP R 180 J 1/10W	
R33			RK73GB2A153J	CHIP R 15K J 1/10W	
R34			RK73GB2A473J	CHIP R 47K J 1/10W	
R35			RK73GB2A562J	CHIP R 5.6K J 1/10W	
R36			RK73GB2A154J	CHIP R 150K J 1/10W	
R37			RK73GB2A334J	CHIP R 330K J 1/10W	
R38			RK73GB2A223J	CHIP R 22K J 1/10W	
R40			RK73GB2A273J	CHIP R 27K J 1/10W	
R41			RK73GB2A393J	CHIP R 39K J 1/10W	
R45			RK73GB2A221J	CHIP R 220 J 1/10W	
R46			RK73GB2A105J	CHIP R 1.0M J 1/10W	
R48,49			RK73GB2A105J	CHIP R 1.0M J 1/10W	
R50			RK73GB2A560J	CHIP R 56 J 1/10W	
R51			RK73EB2E220J	CHIP R 22 J 1/4W	
R52			RK73EB2E100J	CHIP R 10 J 1/4W	
R55			RK73GB2A103J	CHIP R 10K J 1/10W	
R59			RK73GB2A4R7J	CHIP R 4.7 J 1/10W	
R60,61			RK73GB2A103J	CHIP R 10K J 1/10W	
R82,83			RK73GB2A102J	CHIP R 1.0K J 1/10W	
R216,217			RK73GB2A103J	CHIP R 10K J 1/10W	
R219,220			RK73GB2A472J	CHIP R 4.7K J 1/10W	
R221,222			RK73GB2A101J	CHIP R 100 J 1/10W	
R223			RK73GB2A103J	CHIP R 10K J 1/10W	
R226-230			RK73GB2A101J	CHIP R 100 J 1/10W	
R231			RK73GB2A473J	CHIP R 47K J 1/10W	
R232			RK73GB2A104J	CHIP R 100K J 1/10W	
R233			RK73GB2A331J	CHIP R 330 J 1/10W	
R239			RK73GB2A472J	CHIP R 4.7K J 1/10W	
R240			RK73EB2E470J	CHIP R 47 J 1/4W	
R241			RK73GB2A104J	CHIP R 100K J 1/10W	
R243			RK73GB2A472J	CHIP R 4.7K J 1/10W	
R244			RK73GB2A225J	CHIP R 2.2M J 1/10W	

E : KDC-W3041A E1 : KDC-W3041G E2 : KDC-W312A E3 : KDC-312G E4 : KDC-W3041AY E5 : KDC-W3041GY Δ Indicates safety critical components.
E6 : KDC-W312AY E7 : KDC-W312GY E8 : KDC-W241AY E9 : KDC-W241GY F : KDC-W312SAY (E : Europe F : Europe)

PARTS LIST

CD PLAYER UNIT (X32-5970-02) IN CD MECHA

Ref. No.	Add	New	Parts No.	Description	Destination
R246			RK73GB2A333J	CHIP R 33K J 1/10W	
R247			RK73GB2A183J	CHIP R 18K J 1/10W	
R248			RK73GB2A472J	CHIP R 4.7K J 1/10W	
R252			RK73GB2A102J	CHIP R 1.0K J 1/10W	
S1,2			S68-0863-05	PUSH SWITCH	
S3			S68-0862-05	PUSH SWITCH	
D1			DA204U	DIODE	
D2			DAP202U	DIODE	
D3,4			DA204U	DIODE	
IC3			BA5824FP	ANALOGUE IC	
IC4			TC94A70FG-007	MOS-IC	
IC5			S-1132B15U5T1G	ANALOGUE IC	
IC6			S-1132B33U5T1G	ANALOGUE IC	
IC11			XC6206P152MR	ANALOGUE IC	
Q1			2SB0970	TRANSISTOR	
Q10-12			UM6K1N	DUAL FET	
Q13			DTC114YUA	DIGITAL TRANSISTOR	
ELECTRIC UNIT (X34-565x-xx)					
C1			CD04AZ1C332M2	ELECTRO 3300UF 16WV	
C2			CD04AB1C220M	ELECTRO 22UF 16WV	
C3			CK73GB1H104K	CHIP C 0.10UF K	
C5			CD04AR1C221M	ELECTRO 220UF 16WV	
C7			CD04AB0J101M	ELECTRO 100UF 6.3WV	
C9			CK73GB1C104K	CHIP C 0.10UF K	
C11			CK73FB1A225K	CHIP C 2.2UF K	
C12			CK73GB1C104K	CHIP C 0.10UF K	
C14			CK73GB1C104K	CHIP C 0.10UF K	
C15			CD04AB1C220M	ELECTRO 22UF 16WV	
C101,102			CK73GB1H103K	CHIP C 0.010UF K	
C202			CC73GCH1H180J	CHIP C 18PF J	
C203			CC73GCH1H220J	CHIP C 22PF J	
C204			CK73GB1C104K	CHIP C 0.10UF K	
C205			CK73GB1H102K	CHIP C 1000PF K	
C301,302			CD04AB1HR47M	ELECTRO 0.47UF 50WV	
C306,307			CK73GB1C104K	CHIP C 0.10UF K	
C308			CD04AB0J470M	ELECTRO 47UF 6.3WV	
C310,311			CK73GB1H102K	CHIP C 1000PF K	
C401			CD04AB1C470M	ELECTRO 47UF 16WV	
C403			CD04AB1H010M	ELECTRO 1.0UF 50WV	
C502			CK73GB1H103K	CHIP C 0.010UF K	
C504			CK73GB1H103K	CHIP C 0.010UF K	
C506			CK73GB1H103K	CHIP C 0.010UF K	
C508			CK73GB1H103K	CHIP C 0.010UF K	
C509,510			CK73GB1C104K	CHIP C 0.10UF K	
C511			CD04AB1V100M	ELECTRO 10UF 35WV	E2E3F
C511			CD04AB1V100M	ELECTRO 10UF 35WV	E4E5E6
C511			CD04AB1V100M	ELECTRO 10UF 35WV	E7EE1
C512			CK73GB1H103K	CHIP C 0.010UF K	E2E3F
C512			CK73GB1H103K	CHIP C 0.010UF K	E4E5E6
C512			CK73GB1H103K	CHIP C 0.010UF K	E7EE1
C513			CD04AB1V100M	ELECTRO 10UF 35WV	E2E3F
C513			CD04AB1V100M	ELECTRO 10UF 35WV	E4E5E6
C513			CD04AB1V100M	ELECTRO 10UF 35WV	E7EE1

Ref. No.	Add	New	Parts No.	Description	Destination
C514			CC73GCH1H331J	CHIP C 330PF J	E2E3F
C514			CC73GCH1H331J	CHIP C 330PF J	E4E5E6
C514			CC73GCH1H331J	CHIP C 330PF J	E7EE1
C515,516			CC73GCH1H270J	CHIP C 27PF J	E2E3F
C515,516			CC73GCH1H270J	CHIP C 27PF J	E4E5E6
C515,516			CC73GCH1H270J	CHIP C 27PF J	E7EE1
C517			CC73GCH1H561J	CHIP C 560PF J	E2E3F
C517			CC73GCH1H561J	CHIP C 560PF J	E4E5E6
C517			CC73GCH1H561J	CHIP C 560PF J	E7EE1
C701,702			CD04AB1V100M	ELECTRO 10UF 35WV	E2E3F
C701,702			CD04AB1V100M	ELECTRO 10UF 35WV	E4E5E6
C701,702			CD04AB1V100M	ELECTRO 10UF 35WV	E7EE1
C703,704			CC73GCH1H681J	CHIP C 680PF J	E2E3F
C703,704			CC73GCH1H681J	CHIP C 680PF J	E4E5E6
C703,704			CC73GCH1H681J	CHIP C 680PF J	E7EE1
C805			CD04AB1V100M	ELECTRO 10UF 35WV	
C807			CK73GB1A105K	CHIP C 1.0UF K	
C809			CK73GB1A105K	CHIP C 1.0UF K	
C811			CK73GB1A474K	CHIP C 0.47UF K	
C812			CK73GB1A224K	CHIP C 0.22UF K	
C813			CK73GB1A474K	CHIP C 0.47UF K	
C814			CK73GB1A224K	CHIP C 0.22UF K	
C815			CK73GB1A474K	CHIP C 0.47UF K	
C816			CK73GB1A224K	CHIP C 0.22UF K	
C817			CK73GB1A474K	CHIP C 0.47UF K	
C818			CK73GB1A224K	CHIP C 0.22UF K	
C819,820			CK73GB1A105K	CHIP C 1.0UF K	
C901,902			CD04AB1C101M	ELECTRO 100UF 16WV	
CN2			E41-1822-05	FLAT CABLE CONNECTOR	
J1			E58-0991-05	RECTANGULAR RECEPTACLE	
J2			E04-0332-05	RF COAXIAL CABLE RECEPTACLE	
J3			E58-1060-05	RECTANGULAR RECEPTACLE	
J5			E63-0941-05	PIN JACK	E2E3F
J5			E63-0941-05	PIN JACK	E4E5E6
J5			E63-0941-05	PIN JACK	E7EE1
L1			L33-2319-05	CHOKE COIL ASSY	
L401			L41-4795-33	SMALL FIXED INDUCTOR (4.7UH)	
X1			L78-1218-05	RESONATOR	
X2			L77-2920-05	CRYSTAL RESONATOR	
X3			L77-2002-05	CRYSTAL RESONATOR	E2E3F
X3			L77-2002-05	CRYSTAL RESONATOR	E4E5E6
X3			L77-2002-05	CRYSTAL RESONATOR	E7EE1
F	2D		N80-3010-48	PAN HEAD TAPTITE SCREW	
G	2D		N83-3005-48	PAN HEAD TAPTITE SCREW	
H	2D		N83-3020-48	PAN HEAD TAPTITE SCREW	
J	3D		N86-2606-48	BINDING HEAD TAPTITE SCREW	
R1			RD14BB2C102J	RD 1.0K J 1/6W	
R2-5			RD14BB2C103J	RD 10K J 1/6W	
R11			RD14DB2H100J	SMALL-RD 10 J 1/2W	
R12-14			RK73PB2H100J	CHIP R 10 J 1/2W	
R15			RD14DB2H100J	SMALL-RD 10 J 1/2W	
R16			RK73FB2B681J	CHIP R 680 J 1/8W	
R17			RK73GB2A272J	CHIP R 2.7K J 1/10W	

E : KDC-W3041A E1 : KDC-W3041G E2 : KDC-W312A E3 : KDC-312G E4 : KDC-W3041AY E5 : KDC-W3041GY △ Indicates safety critical components.
 E6 : KDC-W312AY E7 : KDC-W312GY E8 : KDC-W241AY E9 : KDC-W241GY F : KDC-W312SAY (E : Europe F : Europe)

KDC-W241AY/W241GY/W3041A/W3041AY/W3041G
/W3041GY/W312A/W312AY/W312G/W312GY/W312SAY
PARTS LIST

ELECTRIC UNIT (X34-565x-xx)

Ref. No.	Add	New	Parts No.	Description	Destination	Ref. No.	Add	New	Parts No.	Description	Destination
R101,102			RD14BB2C472J	RD 4.7K J 1/6W		R331			RK73GB2A392J	CHIP R 3.9K J 1/10W	
R103			RD14BB2C103J	RD 10K J 1/6W		R332			RD14BB2C101J	RD 100 J 1/6W	
R104			RK73GB2A473J	CHIP R 47K J 1/10W		R333,334			RD14BB2C102J	RD 1.0K J 1/6W	E2E3F
R105			RK73GB2A104J	CHIP R 100K J 1/10W		R333,334			RD14BB2C102J	RD 1.0K J 1/6W	E4E5E6
R106			RD14BB2C332J	RD 3.3K J 1/6W		R333,334			RD14BB2C102J	RD 1.0K J 1/6W	E7EE1
R107			RD14BB2C333J	RD 33K J 1/6W		R334			RD14BB2C102J	RD 1.0K J 1/6W	E8E9
R108			RK73GB2A103J	CHIP R 10K J 1/10W		R335			RK73GB2A473J	CHIP R 47K J 1/10W	
R109			RD14BB2C223J	RD 22K J 1/6W		R336-339			RD14BB2C222J	RD 2.2K J 1/6W	
R110			RK73FB2B683J	CHIP R 68K J 1/8W		R340			RK73GB2A225J	CHIP R 2.2M J 1/10W	E2E3F
R111			RK73GB2A393J	CHIP R 39K J 1/10W		R340			RK73GB2A225J	CHIP R 2.2M J 1/10W	E4E5E6
R112			RD14BB2C203J	RD 20K J 1/6W		R340			RK73GB2A225J	CHIP R 2.2M J 1/10W	E7EE1
R113			RK73GB2A104J	CHIP R 100K J 1/10W		R341			RD14BB2C222J	RD 2.2K J 1/6W	
R114,115			RK73GB2A103J	CHIP R 10K J 1/10W		R342			RK73GB2A392J	CHIP R 3.9K J 1/10W	
R116,117			RD14BB2C103J	RD 10K J 1/6W		R343			RD14BB2C102J	RD 1.0K J 1/6W	
R203,204			RK73GB2A103J	CHIP R 10K J 1/10W		R344,345			RD14BB2C4R7J	RD 4.7 J 1/6W	
R205-207			RK73GB2A473J	CHIP R 47K J 1/10W		R346			RD14BB2C2R2J	RD 2.2 J 1/6W	
R208			RD14BB2C473J	RD 47K J 1/6W		R347			RK73GB2A102J	CHIP R 1.0K J 1/10W	
R209,210			RD14BB2C471J	RD 470 J 1/6W		R348,349			RK73GB2A103J	CHIP R 10K J 1/10W	
R211			RK73GB2A473J	CHIP R 47K J 1/10W		R402,403			RD14BB2C471J	RD 470 J 1/6W	
R214			RK73GB2A223J	CHIP R 22K J 1/10W	E2E3F	R406			RK73GB2A223J	CHIP R 22K J 1/10W	E2E3F
R214			RK73GB2A223J	CHIP R 22K J 1/10W	E4E5E6	R406			RK73GB2A223J	CHIP R 22K J 1/10W	E4E5E6
R214			RK73GB2A223J	CHIP R 22K J 1/10W	E7EE1	R406			RK73GB2A223J	CHIP R 22K J 1/10W	E7EE1
R218			RK73GB2A223J	CHIP R 22K J 1/10W		R407			RD14BB2C103J	RD 10K J 1/6W	E2E3F
R221			RK73GB2A222J	CHIP R 2.2K J 1/10W	E2E3F	R407			RD14BB2C103J	RD 10K J 1/6W	E4E5E6
R221			RK73GB2A222J	CHIP R 2.2K J 1/10W	E4E5E6	R407			RD14BB2C103J	RD 10K J 1/6W	E7EE1
R221			RK73GB2A222J	CHIP R 2.2K J 1/10W	E7EE1	R408			RK73GB2A152J	CHIP R 1.5K J 1/10W	E2E3F
R223			RK73GB2A222J	CHIP R 2.2K J 1/10W		R408			RK73GB2A152J	CHIP R 1.5K J 1/10W	E4E5E6
R225			RK73GB2A223J	CHIP R 22K J 1/10W	E4E5E6	R408			RK73GB2A152J	CHIP R 1.5K J 1/10W	E7EE1
R225			RK73GB2A223J	CHIP R 22K J 1/10W	E7F	R409			RK73GB2A392J	CHIP R 3.9K J 1/10W	E2E3F
R225			RK73GB2A473J	CHIP R 47K J 1/10W	E8E9	R409			RK73GB2A392J	CHIP R 3.9K J 1/10W	E4E5E6
R225,226			RK73GB2A473J	CHIP R 47K J 1/10W	EE1E2	R409			RK73GB2A392J	CHIP R 3.9K J 1/10W	E7EE1
R225,226			RK73GB2A473J	CHIP R 47K J 1/10W	E3	R491,492			RK73GB2A100J	CHIP R 10 J 1/10W	
R226			RK73GB2A223J	CHIP R 22K J 1/10W	E8E9	R493			RD14BB2C100J	RD 10 J 1/6W	
R226			RK73GB2A473J	CHIP R 47K J 1/10W	E4E5E6	R501			RK73GB2A471J	CHIP R 470 J 1/10W	
R226			RK73GB2A473J	CHIP R 47K J 1/10W	E7F	R502			RK73GB2A472J	CHIP R 4.7K J 1/10W	
R227			RK73GB2A473J	CHIP R 47K J 1/10W	E8E9	R503			RK73GB2A471J	CHIP R 470 J 1/10W	
R228			RK73GB2A223J	CHIP R 22K J 1/10W	E8E9	R504			RK73GB2A472J	CHIP R 4.7K J 1/10W	
R228			RK73GB2A473J	CHIP R 47K J 1/10W	E2E3	R506,507			RK73GB2A222J	CHIP R 2.2K J 1/10W	E2E3F
R228			RK73GB2A473J	CHIP R 47K J 1/10W	E4E5E6	R506,507			RK73GB2A222J	CHIP R 2.2K J 1/10W	E4E5E6
R228			RK73GB2A473J	CHIP R 47K J 1/10W	E7EE1F	R506,507			RK73GB2A222J	CHIP R 2.2K J 1/10W	E7EE1
R301			RK73GB2A222J	CHIP R 2.2K J 1/10W		R508			RD14BB2C222J	RD 2.2K J 1/6W	E2E3F
R302			RD14BB2C101J	RD 100 J 1/6W		R508			RD14BB2C222J	RD 2.2K J 1/6W	E4E5E6
R303			RK73GB2A102J	CHIP R 1.0K J 1/10W		R508			RD14BB2C222J	RD 2.2K J 1/6W	E7EE1
R304			RD14BB2C102J	RD 1.0K J 1/6W		R509			RK73GB2A512J	CHIP R 5.1K J 1/10W	E2E3F
R305			RK73GB2A102J	CHIP R 1.0K J 1/10W		R509			RK73GB2A512J	CHIP R 5.1K J 1/10W	E4E5E6
R306			RK73GB2A472J	CHIP R 4.7K J 1/10W		R509			RK73GB2A512J	CHIP R 5.1K J 1/10W	E7EE1
R307			RK73GB2A222J	CHIP R 2.2K J 1/10W		R510			RK73GB2A102J	CHIP R 1.0K J 1/10W	E2E3F
R310-313			RK73GB2A102J	CHIP R 1.0K J 1/10W		R510			RK73GB2A102J	CHIP R 1.0K J 1/10W	E4E5E6
R314			RK73GB2A104J	CHIP R 100K J 1/10W		R510			RK73GB2A102J	CHIP R 1.0K J 1/10W	E7EE1
R315			RK73GB2A472J	CHIP R 4.7K J 1/10W		R598			RK73GB2A223J	CHIP R 22K J 1/10W	
R316,317			RK73GB2A222J	CHIP R 2.2K J 1/10W		R599			RK73GB2A102J	CHIP R 1.0K J 1/10W	
R318			RK73GB2A472J	CHIP R 4.7K J 1/10W		R701,702			RK73GB2A331J	CHIP R 330 J 1/10W	E2E3F
R319			RK73GB2A222J	CHIP R 2.2K J 1/10W		R701,702			RK73GB2A331J	CHIP R 330 J 1/10W	E4E5E6
R320			RK73GB2A472J	CHIP R 4.7K J 1/10W		R701,702			RK73GB2A331J	CHIP R 330 J 1/10W	E7EE1
R330			RD14BB2C101J	RD 100 J 1/6W		R703,704			RD14BB2C223J	RD 22K J 1/6W	E2E3F

E : KDC-W3041A E1 : KDC-W3041G E2 : KDC-W312A E3 : KDC-312G E4 : KDC-W3041AY E5 : KDC-W3041GY Δ Indicates safety critical components.
E6 : KDC-W312AY E7 : KDC-W312GY E8 : KDC-W241AY E9 : KDC-W241GY F : KDC-W312SAY (E : Europe F : Europe)

PARTS LIST

ELECTRIC UNIT (X34-565x-xx)

Ref. No.	A d d	N e w	Parts No.	Description	Desti- nation
R703,704			RD14BB2C223J	RD 22K J 1/6W	E4E5E6
R703,704			RD14BB2C223J	RD 22K J 1/6W	E7EE1
R705,706			RD14BB2C181J	RD 180 J 1/6W	E2E3F
R705,706			RD14BB2C181J	RD 180 J 1/6W	E4E5E6
R705,706			RD14BB2C181J	RD 180 J 1/6W	E7EE1
R793			RK73EB2E000J	CHIP R 0.0 J 1/4W	E2E3F
R793			RK73EB2E000J	CHIP R 0.0 J 1/4W	E4E5E6
R793			RK73EB2E000J	CHIP R 0.0 J 1/4W	E7EE1
R802			RK73GB2A154J	CHIP R 150K J 1/10W	
R804			RK73GB2A331J	CHIP R 330 J 1/10W	
R805			RK73GB2A154J	CHIP R 150K J 1/10W	
R806			RK73GB2A103J	CHIP R 10K J 1/10W	
R808			RK73GB2A100J	CHIP R 10 J 1/10W	
R901,902			RK73GB2A334J	CHIP R 330K J 1/10W	
R903			RK73GB2A153J	CHIP R 15K J 1/10W	
R904			RK73GB2A223J	CHIP R 22K J 1/10W	
R905,906			RK73GB2A104J	CHIP R 100K J 1/10W	
R907-914			RD14BB2C104J	RD 100K J 1/6W	
R915			RK73GB2A104J	CHIP R 100K J 1/10W	
R952			RK73GB2A000J	CHIP R 0.0 J 1/10W	
R954			RK73GB2A000J	CHIP R 0.0 J 1/10W	
R958			RK73GB2A000J	CHIP R 0.0 J 1/10W	E2E3F
R958			RK73GB2A000J	CHIP R 0.0 J 1/10W	E4E5E6
R958			RK73GB2A000J	CHIP R 0.0 J 1/10W	E7EE1
R962,963			RK73GB2A000J	CHIP R 0.0 J 1/10W	
R964			RK73EB2E000J	CHIP R 0.0 J 1/4W	
R967			RK73GB2A471J	CHIP R 470 J 1/10W	
R968			RK73GB2A000J	CHIP R 0.0 J 1/10W	
R970,971			RK73GB2A000J	CHIP R 0.0 J 1/10W	E2E3F
R970,971			RK73GB2A000J	CHIP R 0.0 J 1/10W	E4E5E6
R970,971			RK73GB2A000J	CHIP R 0.0 J 1/10W	E7EE1
R971			RK73GB2A000J	CHIP R 0.0 J 1/10W	E8E9
R973			RK73GB2A000J	CHIP R 0.0 J 1/10W	
D1			S2V60-5009F46	DIODE	
D2			MTZJ8.2 (B)	ZENER DIODE	
D3			D1F60-5063	DIODE	
D7			MTZJ12 (B)	ZENER DIODE	
D101,102			D1F60-5063	DIODE	
D103			1SR139-400T64	DIODE	
D104			D1F60-5063	DIODE	
D105			MTZJ4.7 (B)	ZENER DIODE	
D106-108			MTZJ6.8 (B)	ZENER DIODE	
D109			1SS133	DIODE	
D110			BAV70W	DIODE	
D301			DA204U	DIODE	
D304			UDZW6.8 (B)	ZENER DIODE	
D305,306			MTZJ6.8 (B)	ZENER DIODE	
D401			1SS133	DIODE	
D404			1SS133	DIODE	E2E3F
D404			1SS133	DIODE	E4E5E6
D404			1SS133	DIODE	E7EE1
D801			1SS133	DIODE	
D803			1SS133	DIODE	
D901			MTZJ4.7 (B)	ZENER DIODE	

Ref. No.	A d d	N e w	Parts No.	Description	Desti- nation
IC1		*	30622MEPB44FP	MICROCONTROLLER IC	
IC2			E-TDA7419	ANALOGUE IC	E2E3F
IC2			E-TDA7419	ANALOGUE IC	E4E5E6
IC2			E-TDA7419	ANALOGUE IC	E7EE1
IC3			E-TDA7418	ANALOGUE IC	E8E9
IC4			BD4913-V4	ANALOGUE IC	
IC6			KKZ09Z	ANALOGUE IC	
IC7			LC72725KV	ANALOGUE IC	E2E3F
IC7			LC72725KV	ANALOGUE IC	E4E5E6
IC7			LC72725KV	ANALOGUE IC	E7EE1
IC8			S-80836CNNB-J	MOS-IC	
Q2			KTA1046-P	TRANSISTOR	
Q3			2SC4081	TRANSISTOR	
Q7			UMC2N	TRANSISTOR	
Q8			KTA1046-P	TRANSISTOR	
Q9			2SC4081	TRANSISTOR	
Q11			RT1N241M	TRANSISTOR	
Q12			RT1P241M	TRANSISTOR	
Q101-103			2SC4081	TRANSISTOR	
Q104,105			RT1N441M	TRANSISTOR	
Q301			RT1P144M	TRANSISTOR	
Q402			2SC4081	TRANSISTOR	E2E3F
Q402			2SC4081	TRANSISTOR	E4E5E6
Q402			2SC4081	TRANSISTOR	E7EE1
Q701,702			RT1N430M	TRANSISTOR	E2E3F
Q701,702			RT1N430M	TRANSISTOR	E4E5E6
Q701,702			RT1N430M	TRANSISTOR	E7EE1
Q705			RT1P241M	TRANSISTOR	E2E3F
Q705			RT1P241M	TRANSISTOR	E4E5E6
Q705			RT1P241M	TRANSISTOR	E7EE1
Q901			2SC4081	TRANSISTOR	
Q902,903			2SA1576A	TRANSISTOR	
TH1			PRF18BE471QS2	POSITIVE RESISTOR	
A1	2D		X86-4032-70	FRONT-END UNIT	
MECHANISM ASSY (X92-5880-06) DXM-6E06W					
1	2B		A10-5328-31	CHASSIS	
2	1B		A10-5329-11	CHASSIS	
5	2B		D10-4910-13	ARM ASSY	
8	2A		D10-4911-23	LEVER ASSY	
10	2A		D10-4906-33	ARM	
11	2A		D10-4907-33	ARM	
12	3A		D10-4908-03	ARM	
13	3A		D10-4909-03	ARM	
14	3B		D10-4915-03	ARM	
15	2A		D10-4916-23	SLIDER	
16	3B		D10-4914-12	SLIDER	
17	2B		D10-4588-13	SLIDER	
18	2B		D10-4917-04	ARM	
19	2B		D10-4596-24	ARM	
22	2A		D13-2151-04	GEAR	
23	2B		D13-2152-04	GEAR	
24	3B		D13-2153-04	GEAR	
25	3B		D13-2154-04	GEAR	

E : KDC-W3041A E1 : KDC-W3041G E2 : KDC-W312A E3 : KDC-312G E4 : KDC-W3041AY E5 : KDC-W3041GY Δ Indicates safety critical components.
 E6 : KDC-W312AY E7 : KDC-W312GY E8 : KDC-W241AY E9 : KDC-W241GY F : KDC-W312SAY (E : Europe F : Europe)

KDC-W241AY/W241GY/W3041A/W3041AY/W3041G
/W3041GY/W312A/W312AY/W312G/W312GY/W312SAY
PARTS LIST

MECHANISM ASSY (X92-5880-06) DXM-6E06W

Ref. No.	A d d	N e w	Parts No.	Description	Desti- nation	Ref. No.	A d d	N e w	Parts No.	Description	Desti- nation
26	3B		D13-2155-04	WORM							
27	2B		D13-2156-14	GEAR							
28	3B		D13-2157-04	GEAR							
29	2B		D13-2158-04	GEAR							
30	2B		D13-2168-04	GEAR							
31	3B		D13-2171-04	GEAR							
32	1B		D13-2400-13	RACK (GEAR)							
33	2A		D14-0759-04	ROLLER							
35	2B		D21-2382-04	SHAFT							
36	1A		D23-0954-04	RETAINER							
37	1B		D39-0246-05	DAMPER							
38	2B		G01-3072-04	EXTENSION SPRING							
39	2A		G01-3073-04	TORSION COIL SPRING							
40	2A		G01-3074-04	EXTENSION SPRING							
41	1B		G01-4615-04	EXTENSION SPRING							
42	2A		G01-3076-04	EXTENSION SPRING							
43	1B		G01-3077-14	EXTENSION SPRING							
44	2B	*	G02-1399-14	FLAT SPRING							
45	2B	*	G02-1547-14	FLAT SPRING							
51	1A		J22-0473-21	MOUNTING HARDWARE							
52	3B		J22-0474-12	MOUNTING HARDWARE							
53	1B	*	J22-0519-13	MOUNTING HARDWARE							
55	1A		J90-1138-41	GUIDE							
56	1B		J90-1023-03	GUIDE							
DPC1	3A		J86-0039-05	FPC (LEAD FREE)							
A	2B		N09-4460-15	TAPTITE SCREW (PT2X8)							
B	1B		N09-6317-05	TAPTITE SCREW (1.6X6.0)							
C	2B		N09-6004-15	MACHINE SCREW (M1.7X2.5)							
E	2B		N09-6007-15	MACHINE SCREW (M2X2)							
F	1A		N09-6051-15	TAPTITE SCREW (PT2X5)							
G	2A		N19-2163-04	FLAT WASHER (1.6X6X0.25)							
H	1B		N39-2020-48	PAN HEAD MACHINE SCREW (M2X2)							
J	1B		N09-6108-15	TAPTITE SCREW (M2X3.5)							
K	3B		N09-6155-15	SEMS (TAPTITE SCREW) (PT2X6)							
DM1	3B		T42-1066-14	DC MOTOR (SPINDLE)							
DM2	2B		T42-1067-14	DC MOTOR (LOADING/SLED)							
DPU1	2B		X93-2130-01	OPTICAL PICKUP ASSY							

E : KDC-W3041A E1 : KDC-W3041G E2 : KDC-W312A E3 : KDC-312G E4 : KDC-W3041AY E5 : KDC-W3041GY Δ Indicates safety critical components.
E6 : KDC-W312AY E7 : KDC-W312GY E8 : KDC-W241AY E9 : KDC-W241GY F : KDC-W312SAY (E : Europe F : Europe)

SPECIFICATIONS

FM tuner section

Frequency range (50kHz space)87.5MHz~108.0MHz
Usable sensitivity (S/N=26dB) 0.7 μ V/75 Ω
Quieting Sensitivity (S/N=46dB) 1.6 μ V/75 Ω
Frequency response (\pm 3.0dB)30Hz~15kHz
Signal to Noise ratio (MONO)..... 65dB
Selectivity (DIN) (\pm 400kHz) \geq 80dB
Stereo separation (1kHz)..... 35dB

MW tuner section

Frequency range (9kHz space) 531kHz~1611kHz
Usable sensitivity (S/N=20dB) 25 μ V

LW tuner section

Frequency range..... 153kHz~281kHz
Usable sensitivity (S/N=20dB) 45 μ V

CD player section

Laser diode..... GaAIAs
Digital filter (D/A) 8 Times Over Sampling
D/A Converter..... 1Bit
Spindle speed..... 500~200rpm (CLV)
Wow & Flutter Below Measurable Limit
Frequency response (\pm 1dB)20Hz~20kHz
Total harmonic distortion (1kHz)..... 0.01%
Signal to Noise ratio (1kHz)..... 105dB
Dynamic range 93dB
MP3 decode Compliant with MPEG-1/2 Audio Layer-3
WMA decode Compliant with Windows Media Audio

Audio section

Maximum output power 50W x 4
Full Bandwidth Power (at less than 1% THD) 30W x 4
Speaker Impedance4~8 Ω
Tone action
 Bass100Hz \pm 8dB
 Middle 1kHz \pm 8dB
 Treble 10kHz \pm 8dB
Preout level/Load (CD) (Except KDC-W241xx) ...2000mV/10k Ω
Preout impedance (Except KDC-W241xx) \leq 600 Ω

Auxiliary input

Frequency response (\pm 3dB)20Hz~20kHz
Input Maximum Voltage 1200mV
Input Impedance..... 100k Ω

General

Operating voltage (11~16V allowable)..... 14.4V
Current consumption 10A
Installation Size (W x H x D)..... 182 x 53 x 155mm
Weight 1.30kg

KENWOOD follows a policy of continuous advancements in development. For this reason specifications may be changed without notice.

DANGER:

Please do not look at the laser beam directly during repair or operation check.

